

Minimum System Requirements

- IBM® or 100% PC compatible with Pentium® III 650MHz or AMD Athlon 650MHz class processor or higher
- One available AGP 3.0 compliant slot or better
- Operating Systems Win® 98/98SE / Win® 2000 / Win® ME / Win® XP
- 64MB system memory
- 50MB of available disk space for full installation
- CD-ROM or DVD-ROM drive

Table of Contents

1. Introduction	2
1.1. Features	2
1.2. Board Layout	2
2. Hardware Installation	4
3. Software Installation	5
3.1. DirectX Installation	5
3.2. Driver Installation (Windows® XP/2000/ME/98)	5
3.3. V-Tuner 2 Installation	6
4. Appendix	7
4.1. BIOS Flash Utility	7
4.2. How to Reflash BIOS in MS-DOS Mode	7
4.3. Resolutions and Color Depth Table (In Windows® XP)	7

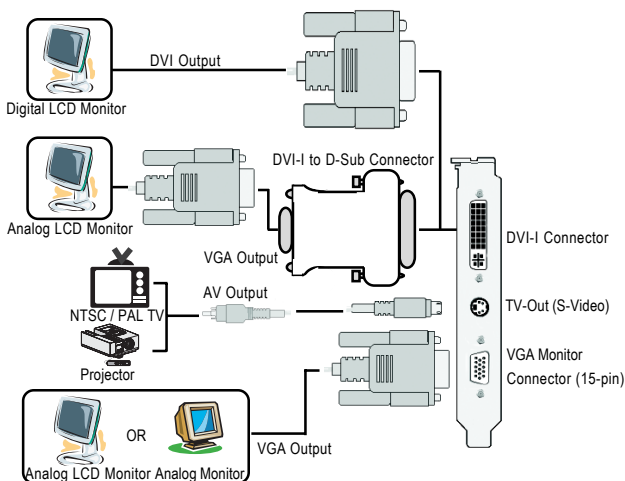
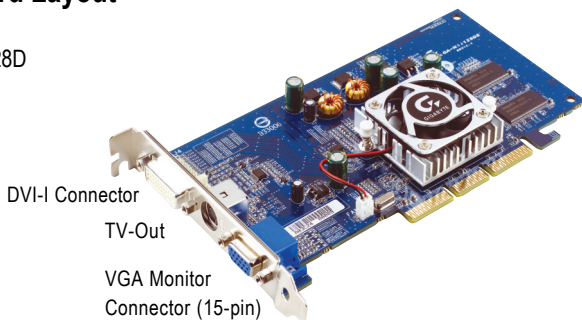
1. Introduction

1.1. Features

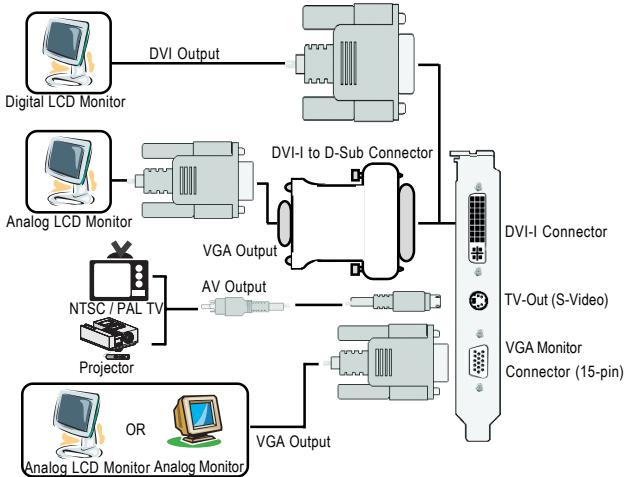
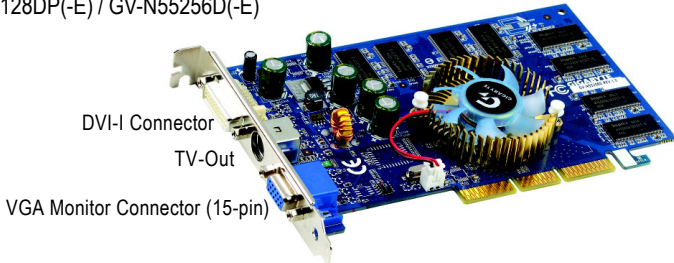
- Powered by nVidia GeForce FX 5500 GPU
- Supports the new AGP 8X and latest DirectX 9.0
- Integrated with 128MB DDR memory (only for GV-N55128D/GV-N55128DP(-E)/GV-N55128DS)
- Integrated with 256MB DDR memory (only for GV-N55256D(-E))
- Features DVI-I, TV-Out and D-Sub connectors
- Features DVI-D connector (only for GV-N55128DS)
- Supports Gigabyte "V-TUNER 2" overclocking application
- Bundles PowerDVD 6.0

1.2. Board Layout

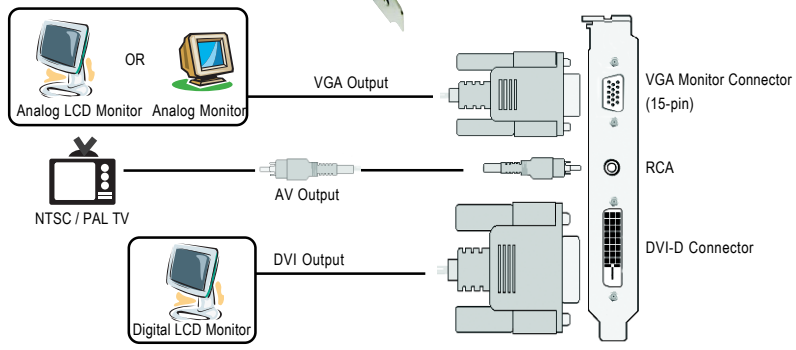
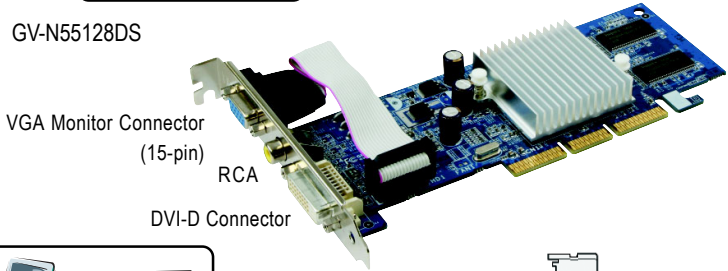
1. GV-N55128D



2. GV-N55128DP(-E) / GV-N55256D(-E)



3. GV-N55128DS

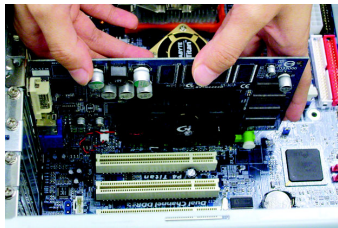


2. Hardware Installation

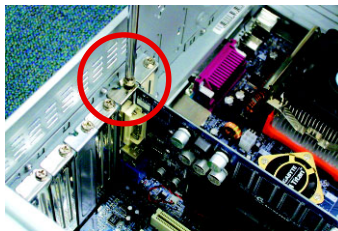
Installing your graphics card.

Now that you have prepared your computer, you are ready to install your graphics card.

1. Locate the AGP slot. If necessary, remove the metal cover from this slot; then align your graphics card with the AGP slot, and press it in firmly until the card is fully seated.



2. Replace the screw to fasten the card in place, and replace the computer cover.



3. Plug the display cable into your card; then turn on the computer and monitor.



3. Software Installation

3.1. DirectX Installation

Install Microsoft DirectX to enable 3D hardware acceleration support for Windows® 98/ 98SE / Windows® 2000/ Windows® ME or Windows® XP to achieve better 3D performance.



Note: For software MPEG support in Windows® 2000 or Windows® XP, you must install DirectX first. Users who run Windows XP with Service Pack 2 or above do not need to install DirectX separately.



Click "Install DirectX 9" item.

3.2. Driver Installation (Windows® XP/2000/ME/98)

Insert the driver CD disk into your CD-ROM drive, and then the Autorun window appears. If it does not appear, please run setup.exe in the root directory of the driver CD disk (ex:D:\setup.exe).



Click "Install Display Driver" item.

3.3. V-Tuner 2 Installation

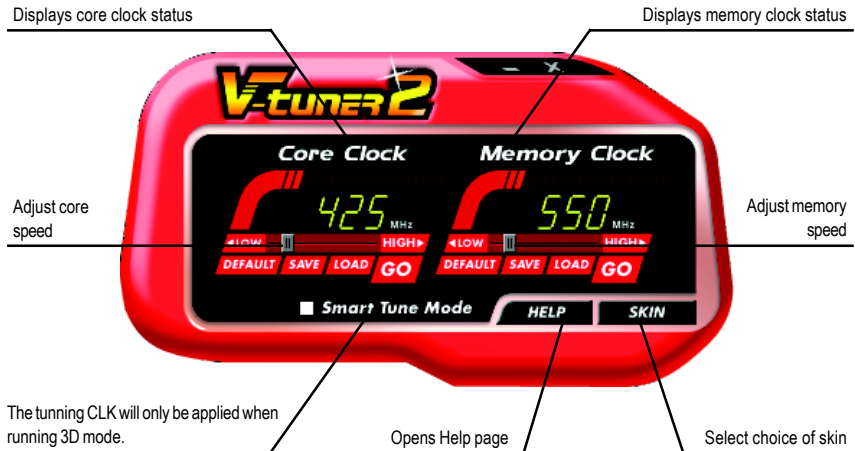
V-Tuner 2 lets you adjust the working frequency of the graphic engine and video memory (Core Clock and Memory Clock).



Click "Utilities" item.



Click "GIGABYTE Utility" item.



4. Appendix

4.1. BIOS Flash Utility

1. Please download the newest BIOS Zip file from GIGABYTE website (www.gigabyte.com.tw). The file contains a MS-DOS-based BIOS flash utility. Or contact your local dealer for the file.

4.2. How to Reflash BIOS in MS-DOS Mode

1. Extract the downloaded Zip file to your hard disk or floppy disk. This procedure assumes drive A.
2. Restart the computer in MS-DOS mode. (For Windows 2000/XP, you need a startup disk to restart the computer in MS-DOS mode.)
3. Change the command prompt to A:\>.
4. To back up the current BIOS, at the A:\> prompt, type [BIOS flash utility name] -s [BIOS file name] (example: **gvf11 -s n55128d.e1**) and press **Enter**.
5. To flash BIOS, at the A:\> prompt, type [BIOS flash utility name] -p [BIOS file name] (example: **gvf11 -p n55128d.f1**) and press **Enter**.
6. Wait until it's done, then restart your computer.

4.3. Resolutions and Color Depth Table (In Windows® XP)

Display Screen Resolution	Maximum Refresh Rate (Hz)	Color Depth (bpp)		
		8bpp (256 color) Standard mode	16bpp (65K color) High mode	32bpp (16.7M color) True mode
320 x 200	75	✓	✓	✓
320 x 240	75	✓	✓	✓
400 x 300	75	✓	✓	✓
480 x 360	75	✓	✓	✓
512 x 384	75	✓	✓	✓
640 x 400 (16:10)	75	✓	✓	✓
640 x 480	240	✓	✓	✓
720 x 480	60	✓	✓	✓
720 x 576	60	✓	✓	✓
800 x 600	240	✓	✓	✓
848 x 480	240	✓	✓	✓
960 x 600 (16:10)	240	✓	✓	✓
1024 x 768	240	✓	✓	X
1088 x 612 (16:9)	240	✓	✓	X
1152 x 864	200	✓	✓	X
1280 x 720 (16:9)	170	✓	✓	X
1280 x 768	170	✓	✓	X
1280 x 960	170	✓	✓	X
1280 x 1024	170	✓	✓	X
1360 x 768	170	✓	✓	X
1600 x 900 (16:9)	150	✓	✓	X
1600 x 1024	120	✓	✓	X
1600 x 1200	120	✓	✓	X
1920 x 1080 (16:9)	100	✓	✓	X
1920 x 1200 (16:10)	100	✓	✓	X
1920 x 1440	85	✓	✓	✓
2048 x 1536	85	✓	✓	✓

