

Declaration of Conformity

G.B.T. Technology, Inc.
The Manufacturer/Importer
Ausselshager Weg 41, Pf 20327 Hamburg, Germany

(description of the apparatus, system, installation to which it refers)

VGA Card

GV-NS2128DS-RH
is in conformity with conformity is declared)
in accordance with 90/269 EEC EMC Directive

- | | | | |
|--|--|--|---|
| <input type="checkbox"/> EN 55011 | Limits and methods of measurement of radio disturbance characteristics of industrial, scientific and medical (ISM) high frequency equipment | <input checked="" type="checkbox"/> EN 61000-3-2 | Disturbances in supply systems caused by household appliances and similar electrical equipment. Voltage fluctuations* |
| <input type="checkbox"/> EN 55013 | Limits and methods of measurement of radio disturbance characteristics of equipment | <input checked="" type="checkbox"/> EN 55024 | Information Technology equipment immunity requirements |
| <input type="checkbox"/> EN 55014-1 | Limits and methods of measurement of radio disturbance characteristics of household electrical appliances, portable tools and similar electrical apparatus | <input type="checkbox"/> EN 55082-1 | Generic immunity standard Part 1: Residential, commercial and light industry |
| <input type="checkbox"/> EN 55015 | Limits and methods of measurement of radio disturbance characteristics of fluorescent lamps and luminaires | <input type="checkbox"/> EN 55082-2 | Generic immunity standard Part 2: Industrial environment |
| <input type="checkbox"/> EN 55020 | Immunity from radio interference of equipment | <input type="checkbox"/> EN 55014-2 | Immunity requirements for household appliances tools and similar apparatus |
| <input checked="" type="checkbox"/> EN 55022 | Limits and methods of measurement of radio disturbance characteristics of information technology equipment | <input type="checkbox"/> EN 50091-2 | EMC requirements for uninterruptible power systems (UPS) |
| <input type="checkbox"/> EN VDE 0855 | Cabled distribution systems. Equipment | | |
| <input type="checkbox"/> EN 50174 | Power supply systems for television sound and television signals | | |
| <input type="checkbox"/> EN 60085 | Safety requirements for mains operated household and similar general use electrical appliances | <input type="checkbox"/> EN 60950 | Safety for information technology equipment including electrical business equipment |
| <input type="checkbox"/> EN 60335 | Safety of household and similar electrical appliances | <input type="checkbox"/> EN 50091-1 | General and Safety requirements for uninterruptible power systems (UPS) |



(EC conformity marking)

The manufacturer/ importer declares the conformity of above standard product with the actual required safety standards in accordance with LVD 7323 EEC

Manufacturer/Importer

Signature: Timmy Huang

Date: Apr. 13, 2006

Name: Timmy Huang

(Stamp)

DECLARATION OF CONFORMITY

Per FCC Part 2, Section 2.1077(a)



Responsible Party Name: G.B.T. INC. (U.S.A.)

Address: 17358 Railroad Street

City of Industry, CA 91748

Phone/Fax No: (818) 854-9338/ (818) 854-9339

hereby declares that the product

Product Name: VGA Card

Model Number: GV-NS2128DS-RH

Conforms to the following specifications:

FCC Part 15, Subpart B, Section 15.107(a) and Section 15.109

(a), Class B Digital Device

Supplementary Information:

This device complies with part 15 of the FCC Rules. Operation is subject to the following two conditions: (1) This device may not cause harmful and (2) this device must accept any interference received, including that may cause undesired operation.

Representative Person's Name: ERIC LU

Signature: Eric Lu

Date: Apr. 13, 2006

Minimum System Requirement

- IBM® or 100% PC compatible with Pentium® III 650MHz or AMD Athlon 650MHz class processor or higher
- One available AGP3.0 compliant slot or better
- Operating Systems Win® 98/98SE / Win® 2000 / Win® ME / Win® XP
- 64MB system memory
- 50MB of available disk space for full installation
- CD-ROM or DVD-ROM drive

Table of Contents

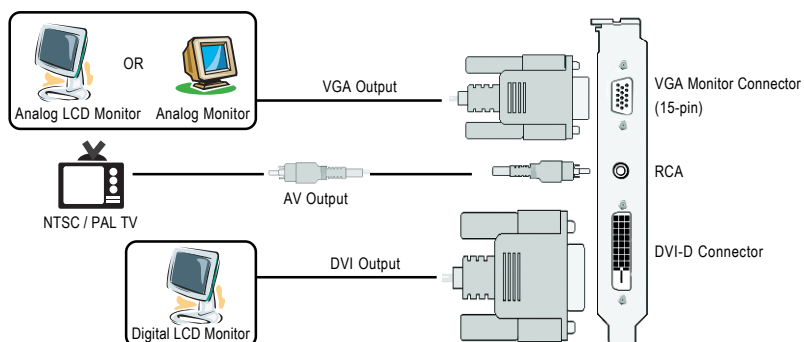
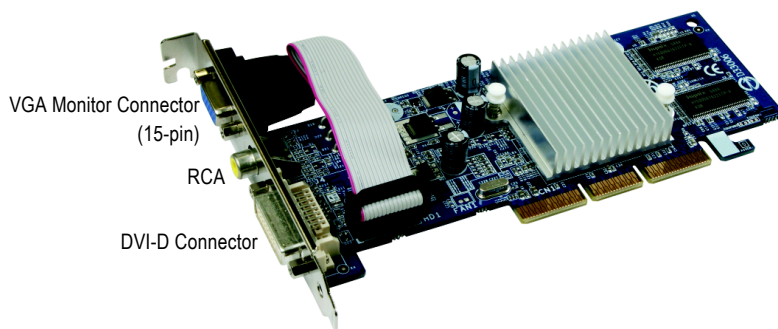
1. Introduction	2
1.1. Features	2
1.2. Board Layout	2
2. Hardware Installation	3
3. Software Installation	4
3.1. DirectX Installation	4
3.2. Driver Installation (Windows® XP/2000/ME/98)	4
3.3. V-Tuner 2 Installation	5
4. Appendix	6
4.1. BIOS Flash Utility	6
4.2. How to Reflash BIOS in MS-DOS mode	6
4.3. Resolutions and Color Depth Table (In Windows® XP)	6

1. Introduction

1.1. Features

- Powered by NVIDIA GeForce FX 5200 Graphics Processing Unit (GPU)
- Supports Direct X 9.0
- Supports AGP 8X
- Integrated with 128MB DDR memory
- Supports TV-Out and D-Sub connectors
- Supports DVI-D connector

1.2. Board Layout

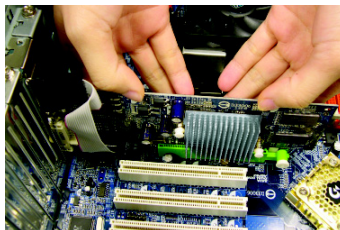


2. Hardware Installation

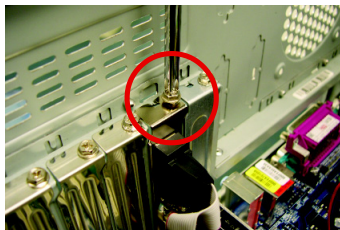
Installing your graphics card.

Now that you have prepared your computer, you are ready to install your graphics card.

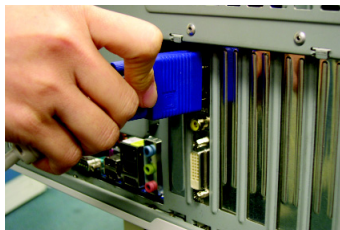
1. Locate the AGP slot. If necessary, remove the metal cover from this slot; then align your graphics card with the AGP slot, and press it in firmly until the card is fully seated.



2. Replace the screw to fasten the card in place, and replace the computer cover.



3. Plug the display cable into your card; then turn on the computer and monitor.



3. Software Installation

3.1. DirectX Installation

Install Microsoft DirectX to enable 3D hardware acceleration support for Windows® 98/ 98SE / Windows® 2000/ Windows® ME or Windows® XP to achieve better 3D performance.



Note: For software MPEG support in Windows® 98/ 98SE/ Windows® 2000/ Windows® ME or Windows® XP, you must install DirectX first.



Click the "Install DirectX 9" item.

3.2. Driver Installation (Windows® XP/2000/ME/98)

Insert the driver CD disk into your CD-ROM, and then you can see the AUTORUN window. If it does not show up, please run "D:\setup.exe". (We assume that your CD-ROM drive letter to be D:).



Click the "Install Display Driver" item.

3.3. V-Tuner 2 Installation

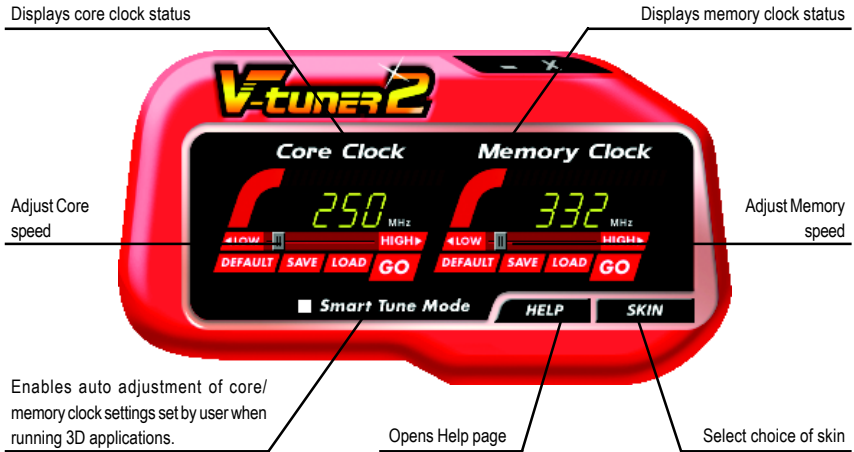
V-Tuner 2 lets you adjust the working frequency of the graphic engine and video memory (Core Clock and Memory Clock).



Click the "Utilities" item.



Then click the "GIGABYTE Utility" item.



4. Appendix

4.1. BIOS Flash Utility

1. Please download the newest BIOS Zip file for your graphics card from GIGABYTE website.
The file includes a MS-DOS-based BIOS flash utility. Or contact your local dealer for the file.

4.2. How to Reflash BIOS in MS-DOS mode

1. Extract the downloaded Zip file to your hard disk(s) (ex: drive C) or floppy disk. This procedure assumes drive C.
2. Restart the computer in MS-DOS mode by choosing "Restart in MS-DOS mode" in the Shut Down Windows dialog box. (This option is only available with Windows 98/98SE. For Windows 2000/ME/XP, you need a startup disk to restart the computer in MS-DOS mode.)
3. Change the command prompt to C:\>.
4. Back up the current BIOS by typing **gvf13 -s filename** at the C:\> prompt and press **Enter**.
5. Begin to flash BIOS by typing **gvf13 -p filename (ex:N527DSRH.F1)** at the C:\> prompt and press **Enter**.
6. Restart your computer when it's done.

4.3. Resolutions and Color Depth Table (In Windows® XP)

Display Screen Resolution	Maximum Refresh Rate (Hz)	Color Depth (bpp)		
		8bpp (256 color) Standard mode	16bpp (65K color) High mode	32bpp (16.7M color) True mode
320 x 200	75	✓	✓	✓
320 x 240	75	✓	✓	✓
400 x 300	75	✓	✓	✓
480 x 360	75	✓	✓	✓
512 x 384	75	✓	✓	✓
640 x 400	75	✓	✓	✓
640 x 480	240	✓	✓	✓
720 x 480	60	✓	✓	✓
720 x 576	60	✓	✓	✓
800 x 600	240	✓	✓	✓
848 x 480	240	✓	✓	✓
960 x 600	240	✓	✓	✓
1024 x 768	240	✓	✓	X
1088 x 612	240	✓	✓	X
1152 x 864	200	✓	✓	X
1280 x 720	170	✓	✓	X
1280 x 768	170	✓	✓	X
1280 x 800	170	✓	✓	X
1280 x 960	170	✓	✓	X
1280 x 1024	170	✓	✓	X
1360 x 768	170	✓	✓	X
1600 x 900	150	✓	✓	X
1600 x 1024	120	✓	✓	X
1600 x 1200	120	✓	✓	X
1920 x 1080	100	✓	✓	X
1920 x 1200	100	✓	✓	X
1920 x 1440	85	✓	✓	✓
2048 x 1536	85	✓	✓	✓

* This table is for reference only. The actual resolutions supported depend on the monitor you use.