

# GT-U8000-RH

USB 2.0 Hybrid TV Dongle / USB 2.0 雙頻電視棒

## User's Manual / 使用手冊

Rev. 101

12MD-U8000-101R



- \* The WEEE marking on the product indicates this product must not be disposed of with user's other household waste and must be handed over to a designated collection point for the recycling of waste electrical and electronic equipment!!
- \* The WEEE marking applies only in European Union's member states.
- \* 產品上之 WEEE logo 意指本產品必須透過特定廢棄物回收管道回收，不得任意拋棄！
- \* 此 WEEE 相關法令規定僅於歐盟國家實施。

# 1. Introduction

## 1.1. Features

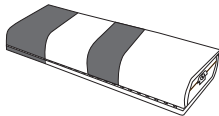
- Supports world-wide Analog TV system (NTSC / PAL / SECAM)
- Supports high quality Digital TV (DVB-T)
- Good DVB-T reception when moving at high speed
- Bundled with professional TV player, CyberLink PowerCinema
- Includes an easy-to-use remote control
- High speed USB 2.0 plug-and-play interface
- Total thermal solution increases stability and durability
- Supports world-wide SAP and Stereo sound
- Supports Teletext and EPG system
- Instant or scheduled TV program recording
- Supports Time-Shifting
- Captures snapshots of TV images
- Supports a wide range of video formats, such as .mpg .dat .avi
- Workable in Windows® XP MCE
- Supports 9 languages, including English, Traditional Chinese, Simplified Chinese, Japanese, Korean, German, Spanish, French, and Italian

## 2. Installation

### 2.1. System Requirements

- Intel Pentium® 4 1.8GHz (or higher) processor  
(For the time-shifting function, Pentium® 4 2.4GHz (or higher) processor is recommended.)
- One free USB port
- 256 MB of system memory ( 512 MB or more is recommended)
- Graphics card (supporting Microsoft® DirectX® 9.0 or above)
- Sound card
- CD-ROM or DVD-ROM player
- 1 GB of free hard disk space is recommended for the time-shifting function
- Windows® XP Service Pack 1 or above
- Microsoft® DirectX® 9.0 or above

### 2.2. Package Contents



USB 2.0 Hybrid TV Dongle



DVB-T Antenna



Auxiliary USB Cable



Remote Control  
(Battery included)



TV Signal Adaptor x 2



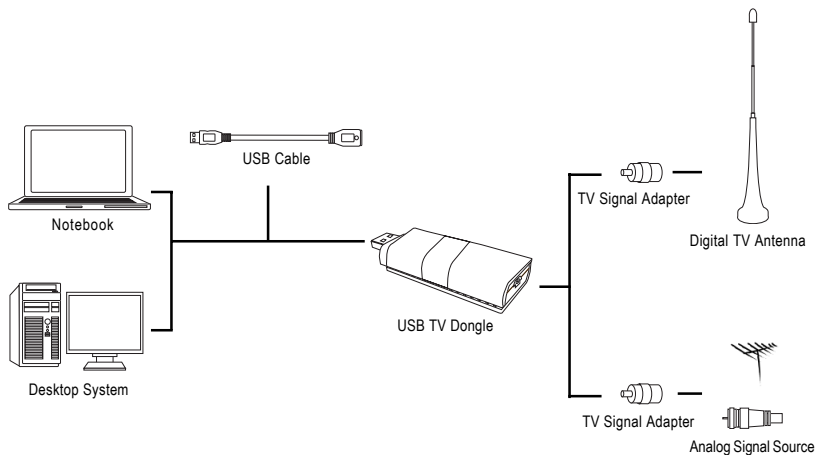
Installation CD



User's Manual

## 2.3. Hardware Installation

Connect the GT-U8000-RH hybrid TV dongle to your system and television, as shown below:



When you want to receive the Digital TV, please set up the digital TV antenna in a location where the signal reception is good.

## 2.4. Software Installation

Software installations in the Windows® XP and Windows® XP MCE system are different. Refer to the following directions for software installation:



Follow the on-screen instructions to easily complete the software installation.

### Software Installation in Windows® XP

Please execute the **Install TV card driver**, **Install TV Player**, and **Install Remote control driver** items in sequence, as listed in the autorun window. Then, restart the system and open the TV player--PowerCinema.

### Software Installation in Windows® XP MCE

Please execute the **Install TV card driver** item. After restarting the system, you can enjoy the multimedia functions on the MCE platform. In addition, you can also execute the **Install TV Player** and **Install Remote control driver** items to use the TV player--PowerCinema to watch TV.

### Remote Control Guide

Almost all functions can be easily activated by using the up, down, left, right triangle buttons and the OK and Back buttons. Blue buttons are instant activation buttons. (Note: The GT-U8000-RH does not support FM radio function. The FM radio function can not be activated by using either the blue FM button or software.)



The remote control is for GIGABYTE's bundled TV player only. For the multimedia platform in Windows® XP MCE, you need to buy a MCE-certificated remote control.

### 3. Advanced Features

1. Good reception quality in high mobility

GIGABYTE GT-U8000-RH hybrid TV dongle is equipped with a chip designed by Dibcom--a professional car TV IC design house, so it has good digital TV reception while moving at high speed (90km/h ~ 110km/h, depending on the quality of the signal source). It is easy to enjoy TV with the GT-U8000-RH when you are in a moving vehicle.
2. Time-Shifting function

When the time-shifting function is activated, the system will record the live TV program in your hard disk. (The system will reserve the recorded program for up to 30 minutes). Then, you can pause, forward or backward the channel you are watching. If you switch to another channel, the system will erase the previously recorded contents and start to record the current channel. The time-shifting function is defaulted to off when the TV player is installed. Please go to [TV] > [Settings] > [Signal Settings] and enable the [Time-Shifting] function if you want to activate this function. Besides, because the time-shifting function needs more system resources, please confirm whether your system meets the recommended system requirements.
3. Scheduled recording

In the TV or Radio menu, click [Schedule] and select [TV] or [Radio] program to record. Click [New Schedule] to set up the schedule record. Besides, if the TV channel supports the EPG function, you can click the program in the EPG menu to record without setting recording details.
4. EPG function

Some TV channels provide Electronic Program Guide function. You can check this by clicking the EPG button on the remote control. Then the screen will show the TV program guide. Moreover, you can directly click the program that you wish to record without setting record details.
5. SAP/Stereo sound function

Please enter [TV] > [Settings] > [Signal settings] > [Audio] to choose SAP or Stereo sound. This function can be activated only when the corresponding channel supports this function.

# 1. 簡介

## 1.1. 產品特色

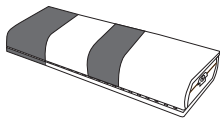
- 支援全球類比電視規格(NTSC / PAL / SECAM)
- 支援高畫質數位電視(DVB-T)
- 支援高速移動接收
- 搭配專業電視播放軟體 CyberLink PowerCinema
- 支援遙控器操作
- 隨插即用 USB 2.0 高速傳輸介面
- 全方位散熱設計，增加穩定性及耐用度
- 支援雙語和立體聲
- 支援 Teletext 與 EPG 系統
- 即時或預約錄製電視節目
- 電視時光平移功能，可以暫停目前播放的電視節目或往前尋找播過的節目片段，讓您不會錯失任何一秒精彩的內容
- 擷取電視畫面成為影像檔
- 播放多種規格影片檔案，如 mpg、dat、avi 等
- 支援 Windows® XP MCE
- 支援九國語言(英文、繁體中文、簡體中文、日文、韓文、德文、西班牙文、法文、義大利文)

## 2. 安裝

### 2.1. 系統需求

- 基本需求 Pentium® 4 1.8G 以上的中央處理器  
(若要啟用時光平移功能，建議使用 Pentium® 4 2.4 G 以上的中央處理器)
- USB 連接埠
- 256 MB 以上系統記憶體 (建議 512 MB 以上)
- 顯示卡 (支援 Microsoft® DirectX® 9.0 或以上)
- 音效卡
- CD-ROM 或 DVD-ROM 光碟機
- 啟用時光平移功能建議具備 1 GB 以上的硬碟空間
- Windows® XP Service Pack 1 以上的作業系統
- Microsoft® DirectX® 9.0 以上

### 2.2. 包裝配件



USB 2.0 雙頻電視棒



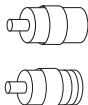
數位電視天線



USB 延長線



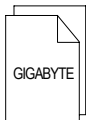
遙控器(含電池)



電視訊號轉接頭 x 2



安裝光碟

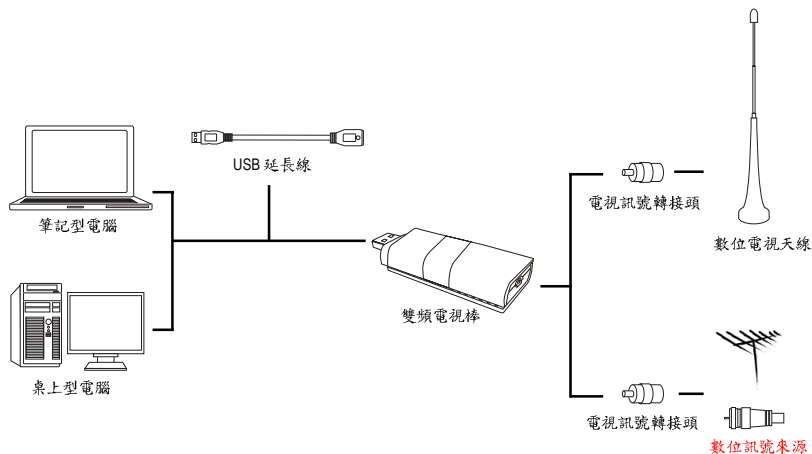


使用手冊



## 2.3. 硬體安裝

請將 GT-U7000-RH 數位電視棒依照下圖所示連接至您的系統(筆記型電腦或桌上型電腦)及數位電視天線。



安裝時，請注意在收訊良好的環境下使用，避免收訊不良的問題。

## 2.4. 軟體安裝

在 Windows® XP 與 Windows® XP MCE 作業系統下，軟體安裝方式有所不同，請參考以下安裝方法：



請依畫面提示進行安裝，即可完成驅動程式安裝。



只要按下快速安裝鍵，即可將此硬體所需的驅動程式一次安裝完成。

### 在 Windows® XP 作業系統下的軟體安裝方法

請依照安裝光碟裡的项目依序執行 "安裝電視卡驅動程式"、"安裝電視卡播放軟體" 與 "安裝遙控器驅動程式"。重新開機後，執行電視播放程式 Power Cinema 即可使用。

### 在 Windows® XP MCE 作業系統下的軟體安裝方法

此電視卡支援 Windows® XP MCE 多媒體平台，請執行 "安裝電視卡驅動程式"，即可使用 MCE 平台來收看電視並享受多媒體娛樂。此外，也可以在此作業系統內執行 "安裝電視卡播放軟體" 與 "安裝遙控器驅動程式"，使用所搭配的 PowerCinema 來收看電視。

### 遙控器使用方法

幾乎所有的功能只要透過遙控器的上、下、左、右、"OK" 與 "Back" 按鈕就可以輕鬆操作。藍色的按鈕為立即啟動鈕。(請注意：GT-U8000-RH 數位電視棒不支援 FM 功能，所以無法透過遙控器或軟體來啟動 FM 功能。)



所附贈的遙控器只支援產品所搭配的電視播放程式，此遙控器並不支援 MCE 系統的多媒體平臺操作。若需要 MCE 專用的遙控器必須要另外購買。

## 3. 進階功能介紹

### 1. 高速移動接收功能

技嘉 GT-U8000-RH 數位電視棒採用車用行動電視晶片大廠 Dibcom 所設計的晶片，所以在高速移動的狀態下(90km/h ~ 110km/h，依據訊號源強弱會有不同)仍可以正常接收訊號，讓您在搭乘交通工具的時候也可以輕易的享受行動電視，符合了一般行動族的需求。

### 2. 時光平移(邊看邊錄功能)

在時光平移功能為開啟的狀態下觀賞電視節目時，時光平移功能即會自動將您正在觀賞的頻道內容錄製到硬碟裡(註：電腦最多會幫您保存 30 分鐘前的資料)，讓您可以在該頻道做暫停、倒轉等功能。如果您切換了頻道，電腦則會清除之前頻道所錄製的內容而重新錄製目前所觀賞的頻道內容。時光平移功能預設為關閉的狀態，如要開啟請進入[電視設定]>[訊號設定]>[邊看邊錄功能]來啟動。此外，由於時光平移是在一直執行錄製的動作，所以會佔用較多的系統資源，請確認您的系統需求有達到建議的規格。

### 3. 預約錄影

進入電視或收音機選單裡的[預約錄製]，再選擇要預約錄製電視或收音機，按下[新增預約錄製]即可新增預約錄製。此外，如果該電視頻道有支援節目表(EPG)的功能，即可直接點選來做錄製的動作。

### 4. 節目表(EPG)

EPG (Electronic Program Guide)電子節目導引功能，在觀賞電視時有些頻道會提供 EPG 的訊息，只要按下遙控器上的 "EPG" 鈕，則會顯示各個頻道的節目表，不僅如此，還可以利用此節目表直接點選想要預錄的節目，不必再自己設定開始及結束的時間。

### 5. 雙語 / 立體聲功能

進入電視的[訊號設定]選單，進入音源的選項即可選擇主副語或立體聲。需該頻道有支援此功能才能選擇。

## 4. Troubleshooting (疑難排解)

- Q: Why do I get a poor resolution for my digital TV?
- A: Please make sure that the digital signal source is not interfered. You can try to change your location and install the bundled DVB-T antenna.
- Q: 為什麼我的數位電視畫質不好？
- A: 請確認您的數位訊號來源是否受到干擾，建議您可更改所在位置或安裝配件中的數位電視天線，讓畫質更為清晰。
- Q: Why does the computer respond slowly?
- A: Please close other applications, and make sure the computer meets the recommended system requirements. In addition, you can disable the Time-Shifting function (enabled by default) to free some computer resources.
- Q: 電腦反應很慢？
- A: 請關閉掉其它的應用程式，並確認電腦系統達到建議需求以上。此外，可將時光平移功能關閉(預設為開啟)，可釋放出一些電腦資源。
- Q: Why is the Time-Shifting function not working?
- A: Please make sure that the Time-Shifting function is enabled. Check [TV] > [Settings] > [Signal Settings] and enable the [Time-Shifting] function. The Time-Shifting function needs more computer resources, including a Pentium® 2.4GHz (or higher) processor and 1 GB of free hard disk space.
- Q: 時光平移(邊看邊錄功能)不能用？
- A: 請確認時光平移的功能為開啟的狀態，請至電視設定>訊號設定>邊看邊錄功能啟用。時光平移會需要較多的電腦資源，包括 CPU 建議 Pentium® 2.4G 以上的等級和 1G 以上的硬碟空間。
- Q: Why is the TV dongle warm when it is working? Is it normal?
- A: GIGABYTE GT-U8000-RH digital TV dongle has good reception when moving at high speed, so it will produce some heat under normal working condition. However, after GIGABYTE's strict test, the GT-U8000-RH still has good reception even in 40°C environment. Moreover, GIGABYTE Technology is the first one to put heatsink inside the TV dongle to increase the stability and durability, which ensures that our customers have a high quality product.
- Q: 為何電視棒在使用時會發燙，這是正常的嗎？
- A: 技嘉 U8000 數位電視棒所採用的晶片具有高速行動接收能力，所以在一般的使用狀況下會散發正常的熱量。而且經由技嘉科技嚴格的品管測試，在室溫 40 度 C 以上的環境長時間使用也能正常收訊。不僅如此，技嘉科技首創將散熱模組加入電視棒，比一般市面的電視棒更增加了穩定度與耐用度，給消費者一個高品質的保證。



For more information, please go to GIGABYTE's website--<http://www.gigabyte.com.tw>

如果想要了解更多資訊，請至技嘉科技網站 --<http://www.gigabyte.com.tw>