

**GIGABYTE™**

**Q2440**

**USER'S MANUAL**

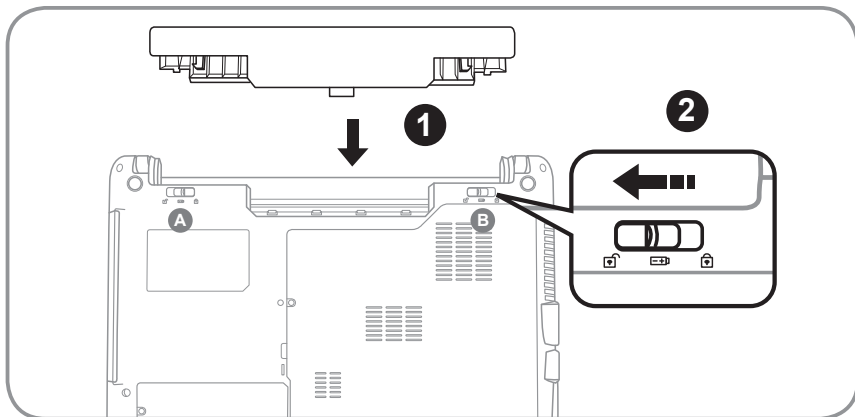
● English

V2.0

## Congratulations on the Purchase of Your GIGABYTE Notebook Q2440

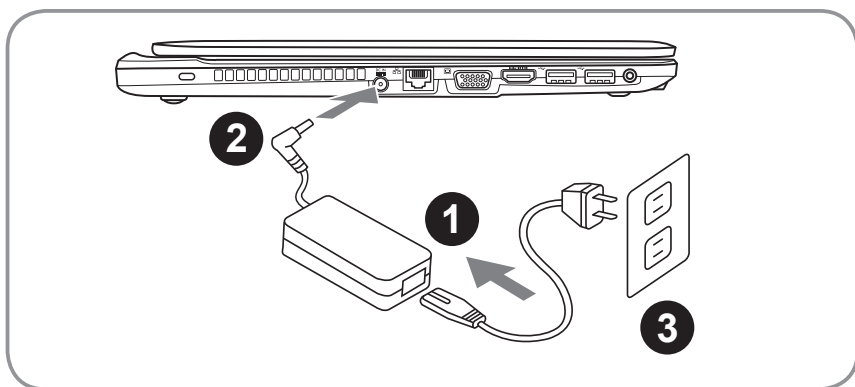
This Manual will help you to get started with setting up your notebook. For more detailed information, please visit our website at [www.gigabyte.com](http://www.gigabyte.com). All specifications are subject to the manufacturer's configuration at the time of shipping and may change without prior notice, written or otherwise.

### 1 Using GIGABYTE Notebook for the First Time

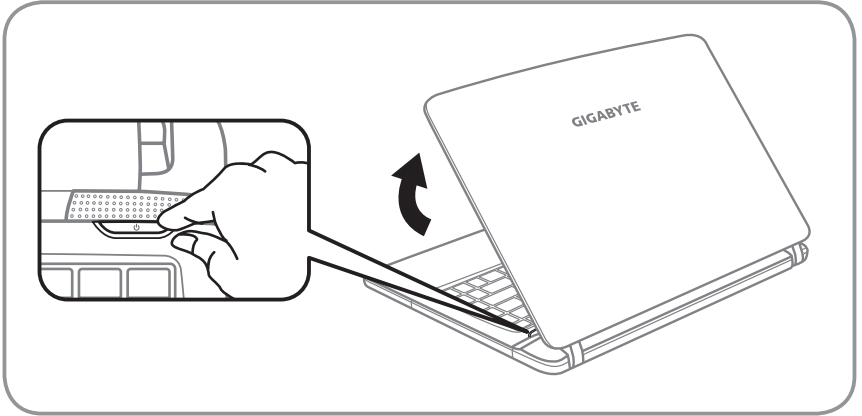


To install the battery please follow these steps:

- 1 Slide the battery into the slot until both latches (Shown as **A** & **B**) “click” into place. You may hear a “clicking” sound, once the battery is secure.
- 2 Slide latch **A** to the right to lock the battery in place.



- 1 Connect the power cord to the AC adapter.
- 2 Connect the AC adapter to the DC-in jack on the right side of the notebook.
- 3 Connect the power cord to the power outlet.



### **Switching on the Power**

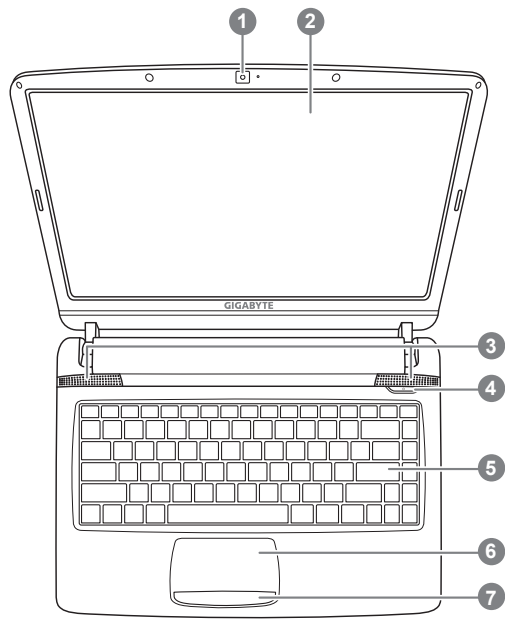
After you turn on the Q2440 for the very first time, do not turn it off until the operating system has been configured. Please note that the volume for the audio will not function until Windows® Setup has completed.

### **Booting Up the Q2440 for the First Time**

Depending on your configuration, the Microsoft® Windows® Boot Screen will be the first screen that you will see as the notebook starts up. Follow the on-screen prompts and instructions and enter your personal information to complete the setup of the Windows® Operating System.

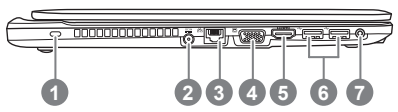
# 2 Your GIGABYTE Notebook Tour

## Top View



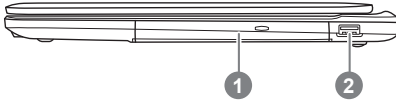
- 1 Webcam
- 2 Display
- 3 Speakers
- 4 Power Button
- 5 Keyboard
- 6 TouchPad
- 7 TouchPad Buttons

## Left View



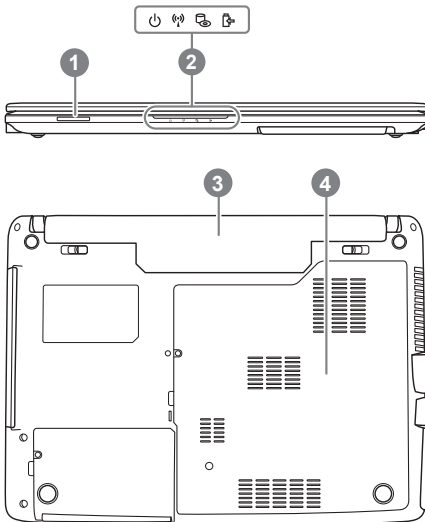
- 1 Kensington Lock Slot
- 2 DC-in Jack
- 3 LAN (RJ-45) Port
- 4 External Monitor (VGA) Port
- 5 HDMI Port
- 6 USB3.0 Port\*2
- 7 Audio Jack

## Right View



- 1 Optical Disc Drive
- 2 USB 2.0 Port




## Front & Bottom & Rear View



- 1 Flash Memory Card Reader
  - 2 LED Power Indicators ❶
  - 3 Battery Bay
  - 4 Component Compartment
- ❶ Power Status LED
  - RF Status LED
  - HDD Status LED
  - Battery Status LED

### 3 Function & Hot Key Indicators

Using the <Fn> key with another key creates a hot key, providing a quick and convenient method for controlling various functions. To use a hot key, first hold down the <Fn> key. Next, press the second key in the combination. Finally, release both keys.

Hotkey	Function
<i>Fn + F1</i> 	Suspend
<i>Fn + F2</i> 	Silent Mode
<i>Fn + F3</i> 	Mute on/off
<i>Fn + F4</i> 	Display output switching
<i>Fn + F5</i> 	Decrease the speaker volume
<i>Fn + F6</i> 	Increase the speaker volume
<i>Fn + F7</i> 	Decrease the brightness level
<i>Fn + F8</i> 	Increase the brightness level
<i>Fn + F9</i> 	Touch Pad disable/enable
<i>Fn + F10</i> 	RF (WLAN+BT) on/off
<i>Fn + F11</i> 	Webcam on/off

## 4 GIGABYTE Smart Recovery

- System Recovery (Restore your Q2440 Operating system):  
The hard drive of the Q2440 has a hidden partition that contains a full backup image of the operating system that can be used to recover the system in the event that something happens to the operating system.



### CAUTION:

If the hard drive is removed or the partition deleted, the recover options will no longer be available and a recovery service will be needed.

- Launch System Recovery :  
The system recover feature is part of the Notebook installation and it ships preset from the factory. The options menu allows you to launch the Windows recovery tool to reinstall the operating system to factory defaults.
- Below will briefly describe how to launch the recovery tool and to get the recovery started.

1. Turn off or restart the Notebook.

2. Turn the Notebook on the press and hold the F9 Key to launch the tool.

3. The recovery window will open and give you the option to "Recovery" in the toolbar. You will be prompted if you want to recovery. Click on "Recovery" to begin the repair if you do.



4. The "Recovering " windos will open and begin the recovery.



5. Once it is complete, you will be prompted to reboot the Notebook.



**■ Warranty & Service:**

For Warranty, Service and related information, please refer to the warranty card or GIGABYTE service website as the following link:  
<http://www.gigabyte.com/support-downloads/technical-support.aspx>

**■ FAQ:**

For FAQ (Frequent Asked Questions), please refer to the following link:  
<http://www.gigabyte.com/support-downloads/faq.aspx>



