

GIGABYTE™

Q1742

USER'S MANUAL

使 用 手 冊

● English

V4.0

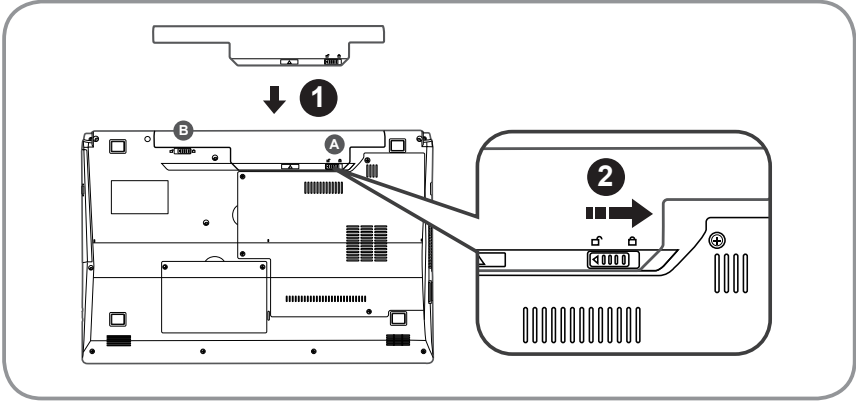


* Images Used for Reference Only

Congratulations on the Purchase of Your GIGABYTE Notebook Q1742!

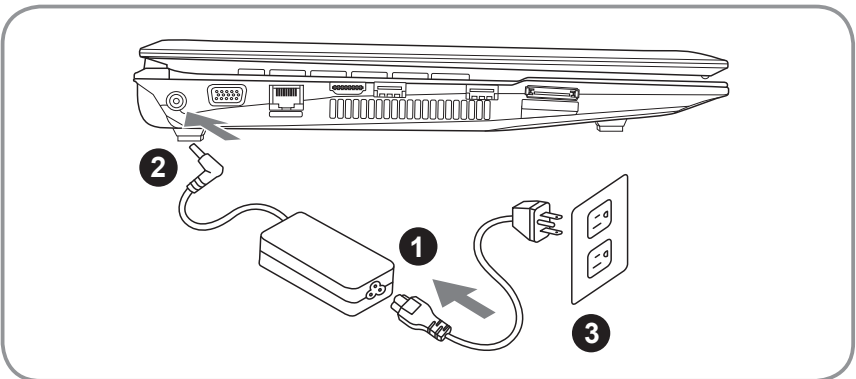
This Manual will help you to get started with setting up your notebook. For more detailed information, please visit our website at www.gigabyte.com. All specifications are subject to the manufacturer's configuration at the time of shipping and may change without prior notice, written or otherwise.

1 Using GIGABYTE Notebook for the First Time

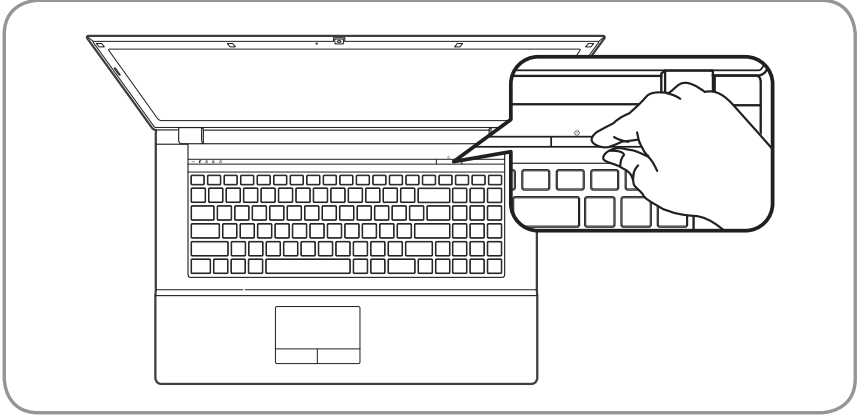


To install the battery please follow these steps:

- 1 Slide the battery into the slot until both latches (Shown as **A** & **B**) “click” into place. You may hear a “clicking” sound, once the battery is secure.
- 2 Slide latch **A** to the right to lock the battery in place.



- 1 Connect the the power cord to the AC adapter.
- 2 Connect the AC adapter to the DC-in jack on the left side of the notebook.
- 3 Connect the power cord to the power outlet.



Switching on the Power :

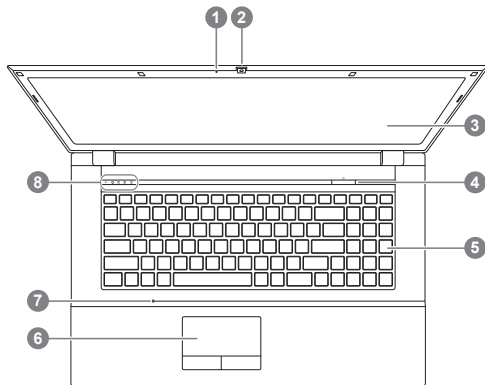
After you turn on the Q1742 for the very first time, do not turn it off until the operating system has been configured. Please note that the volume for the audio will not function until Windows® Setup has completed.

Booting Up the Q1742 for the First Time :

Depending on your configuration, the Microsoft® Windows® Boot Screen will be the first screen that you will see as the notebook starts up. Follow the on-screen prompts and instructions and enter your personal information to complete the setup of the Windows® Operating System.

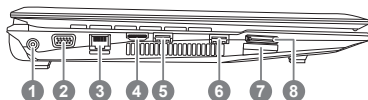
2 Your GIGABYTE Notebook Tour

Top View



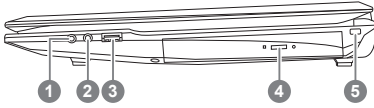
- 1 Webcam Status LED Indicator
- 2 Webcam
- 3 Display
- 4 Power Button
- 5 Keyboard
- 6 TouchPad+Mouse
- 7 Built-In Microphone
- 8 Status Indicators **1**
 - 1** Wireless LAN Status LED
 - HDD Status LED
 - Num. Lock Indicator
 - Caps Lock Indicator
 - Scroll Lock Indicator

Left View



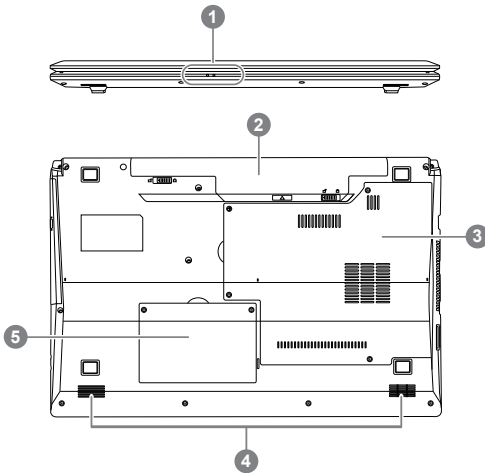
- 1 DC-in Jack
- 2 External Monitor (VGA) Port
- 3 LAN (RJ-45) Port
- 4 HDMI Port
- 5 USB 3.0 Port
- 6 USB 3.0 Port
- 7 Multi Card Reader **2**
- 8 e-SATA Port
 - 2** 9-in-1 Card reader support:
 - MMC / RSMMC
 - SD / mini SD / SDHC / SDXC compatible
 - MS/ MS Pro / MS Duo



Right View



- 1 Microphone Jack
- 2 Headphone Jack
- 3 USB 2.0 Port
- 4 Optical Disc Drive
- 5 Kensington Lock Slot





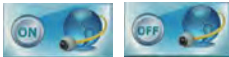


Front & Bottom & Rear View



- 1 Power Indicators ⑤
 - 2 Battery Bay
 - 3 Component Compartment
 - 4 Speakers
 - 5 HDD Compartment
- ⑤  Power LED
-  Battery Status LED

3 Function & Hot Key Indicators

Using the <Fn> key with another key creates a hot key, providing a quick and convenient method for controlling various functions. To use a hot key, first hold down the <Fn> key. Next, press the second key (ex:<~>, <F1>~<F12>, NumLk, ScrLk) in the combination. Finally, release both keys.

Hotkey	Description	ICON
Fn + ~	Play/Pause (in Audio/Video Programs)	
Fn + F1	TouchPad Toggle	
Fn + F2	Turn LCD Backlight Off (Press a key to or use TouchPad to turn on)	
Fn + F3	Mute Toggle	
Fn + F4	Sleep Toggle	
Fn + F5/F6	Volume Decrease/Increase	
Fn + F7	Display Toggle	
Fn + F8/F9	Brightness Decrease/Increase	
Fn + F10	PC Camera Power Toggle	
Fn + F11	WLAN Module Power Toggle	
Fn + F12	Bluetooth Module Power Toggle	
Fn + NumLk	Numeric Keypad Toggle	
Fn + ScrLk	Scroll Lock Toggle	

4 System Setup

Pressing the hot keys to adjust BIOS setup, system recovery and boot option menu.

Hotkey	Function	Description
F2	BIOS setup	Enter BIOS setup
F9	system recovery	Enter system recovery
F12	boot option	Enter boot option menu

5 Recovery Guide

System Recovery (Restore your laptop operating system)

When something is going wrong with the laptop operating system, the storage of the laptop has a hidden partition containing a full back up image of the operating system that can be used to restore the system to factory default settings.



Note

- If the storage has been switched or the partition deleted, the recovery option will no longer be available and a recovery service will be needed.
- The recovery function is only available on devices with O/S preinstalled. Devices with DOS do not have the recovery function.

Launch System Recovery

The system recovery feature is preinstalled before the laptop is shipped from the factory. The option menu allows you to launch the Windows recovery tool to reinstall the operating system to factory default.

The brief introduction below will show you how to start the recovery tool and restore your system.



All ready to go

Make sure your PC is plugged in. This will take a few minutes.

Windows 7 Recovery Guide

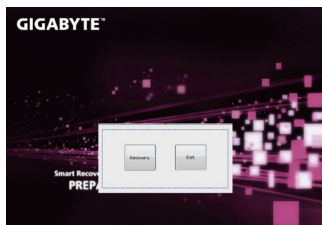
1 Turn off and restart the laptop.

2



During the laptop turn on process, press and hold F9 key to launch the tool.

3



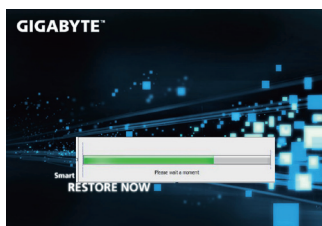
The recovery will be activated and you will see the option buttons on the window. Click on "Recovery" to start it.



Caution

Once the "Recovery" is selected, your personal data and files will be deleted after the laptop starts restoring, and the operating system will be reset to factory default settings.

4



A progress indicator bar will show on the window when the recovery process is running. Please make sure the AC-adaptor is plugged in and do not turn off the laptop.

5



Reboot the laptop after the system recovery is complete.

Windows 8 Recovery Guide

1

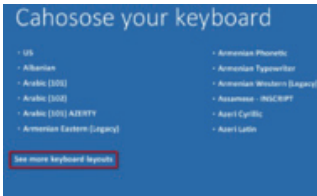
Turn off and restart the laptop.

2



During the laptop turn on process, press and hold F9 key to launch the tool.

3



Choose your keyboard layout.

You can press "See more keyboard layouts" to see next page of languages.

4



Choose "Troubleshoot" to enter the recovery settings.

(Also you can choose "Continue" to exit recovery system and continue to Windows 8 for files or data backup.)



There are two options for system recovery

- **Refresh your PC**

You can refresh your laptop to improve the system stability without losing your files.

- **Reset your PC**

If you want to remove all of your files, you can reset your PC completely.

Caution: All personal data and files will be lost.

5



■ Choose “Refresh your PC”

[Click on “Next”] > [Choose a target operating system.] > [Click on “Windows 8”.] > [Click on “Refresh” to execute recovery function.]



Here are what will happen

- Your files and personalization settings won't be changed.
- Your PC settings will be restored to factory default settings.
- Apps from Windows Store will be kept.
- Apps you installed from discs or websites will be removed.
- A list of removed apps will be saved on your desktop.



■ Choose “Reset your PC”

[Click on “Next”] > [Choose a target operating system.] > [Click on “Windows 8”.] > [Choose an option to recover your system]

▶ Just remove my files

Only personal data and files will be removed, but computer settings will be kept.

▶ Fully clean the drive

The drive will be completely restored to factory default settings. It takes more time. > [Click on “Reset” to execute recovery function.]



Here are what will happen

- All of your personal files and apps will be removed.
- Your PC settings will be restored to factory default settings.

Remark



Advanced options



System Restore

Use a restore point recorded on your PC to restore Windows.



System Image Recovery

Recover Windows using a specific system image file.



Automatic Repair

Fix problems that keep Windows from loading.



Command Prompt

Use the Command Prompt for advanced troubleshooting.



UEFI Firmware Settings

Change settings in your PC's UEFI firmware.

6 Appendix

■ **Warranty & Service:**

For Warranty, Service and related information, please refer to the warranty card or GIGABYTE service website as the following link:

<http://www.gigabyte.com/support-downloads/technical-support.aspx>

■ **FAQ:**

For FAQ (Frequent Asked Questions), please refer to the following link:

<http://www.gigabyte.com/support-downloads/faq.aspx>