

Specification

Hardware

Processor : Intel D2500 1.86GHz Dual-Core processor
 Memory : DDR3 2GB / Max. 4GB
 Internal HDD : 3.5" SATA II x 4 Hot-swappable
 I/O Interface : 2 x RJ45, 2 x USB 2.0, 2 x USB 3.0,
 1 x D-Sub VGA
 LAN Speed : 2 x 1Gb/s

Size (HxWxD) : 220 x 183.5 x 146.5 (mm)
 Weight : 3.5kg excluded HDD
 Max Internal Capacity : 16TB (4 x 4TB)
 Front LED : 1 x PWR, 1 x SYS, 1 x EXT, 4 x HDDs, 2 x LANs
 Power : External 90W power adapter

General

Protocol
 - Storage share : NFS, CIFS, AFP
 - Networking : HTTP, HTTPS, FTP, SSH, Telnet
 - Media server : DLNA/ UPnP Port Mapping
 File System
 - Internal HDD : xfs
 - External HDD : EXT3, EXT4, NTFS, FAT32
 Storage Management
 - HDD Hibernation
 - HDD S.M.A.R.T
 - RAID Type : JBOD, RAID 0, 1, 5, 10

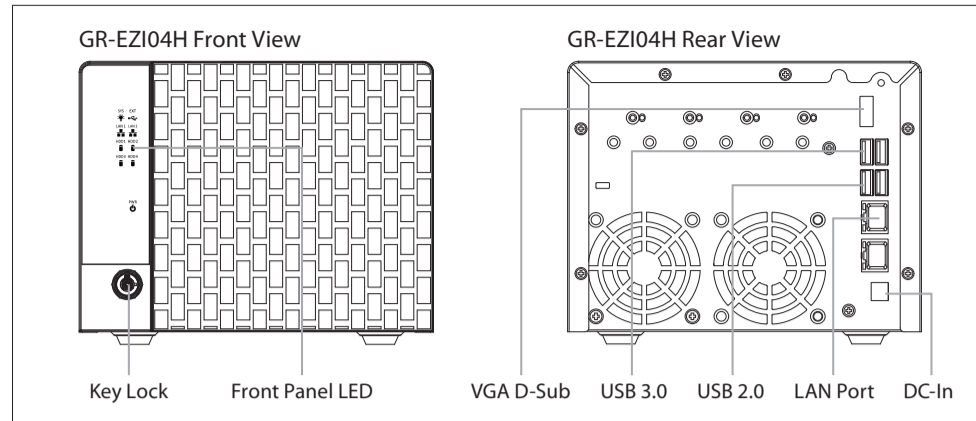
Backup : Apple Timemachine
 System
 - DDNS & Relay Server, Power Management, Smart Fan Control, Wake on LAN, Resource Monitor, Log & Notification
 Supported Clients : Windows, Linux, Mac
 Supported Browsers : Chrome, Firefox, IE 7/ 8/ 9, Safari
 Supported Mobile Device
 - iPhone, Android phone
 - iPad, Android tablet

Applications

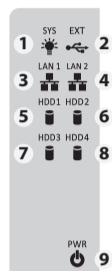
Applications
 - Searching Disk Connect
 - Start on System startup
 - System Tray icon
 eFiler (Web File Manager)
 - Folder Sharing : Read only, Read/ Write
 - File Search
 - Multi files/ folders Upload/ Download
 - URL Link mail for Big sized file
 - URL Link copy
 - MP3 & FLV file play
 eMobile App
 - iPhone & Android phone support
 - iPad & Android Tablet support
 - File upload & download
 - Multimedia File streaming
 - Slide show, Audio Play list
 - File search, Sort, Delete, New folder

eMobile web
 - User and Share folder management
 - Services and power management
 eMedia (Media album)
 - Photo thumbnail, Slideshow, Rotation
 - Audio and Video streaming & Playlist support
 - Publish to SNS (Twitter, Facebook, Myspace)
 - Access Privilege, Send by mail
 eDownloader (Download files from links)
 - Supported file sharing sites : rapidshare.com, hotfile.com, fileserve.com, uploaded to Premium account support, Download schedule, concurrent download setting
 eTorrent (Download file from Torrent)
 - Download from Torrent file/ Magnet link/ Torrent RSS
 - Search torrent
 - Add search engine and Torrent RSS site

Getting familiar with your unit

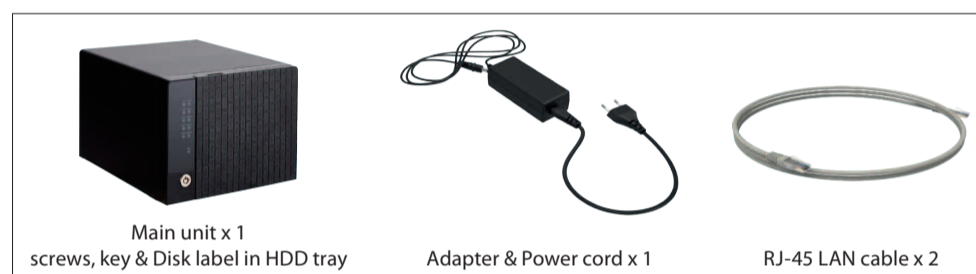


Front LED

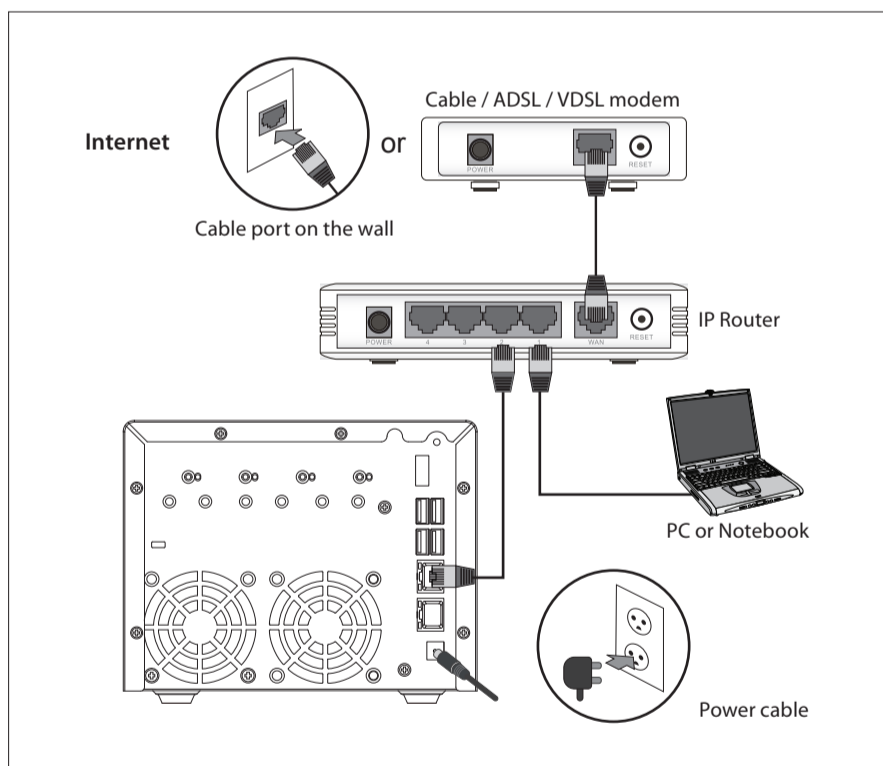


	Description
1) System LED	Solid Blue: System ready / Solid Orange: System is not ready
2) External LED	Solid Blue: USB device detected / Blinking Blue: USB device activity If USB keyboard & mouse is plugged, LED will be OFF
3~4) LAN LED	Solid Blue: Network link / Blinking Blue: Network activity
5~8) Disk LED	Solid Blue: Disk detected Blinking Blue: Disk activity Solid Orange: DISK S.M.A.R.T. failed Blink Orange: Disk Rebuilding
9) Power LED	Solid Blue: System power ON

Package Contents



Power & NetworkConnections



Cautions & Checklist

Back up your system periodically to avoid any potential data loss. GIGABYTE disclaims any responsibility of all sorts of data loss or recovery. Should you return any components of GR-EZI04H package for refund or maintenance, make sure they are carefully packed for shipping. Any form of damages due to improper packaging will not be compensated.

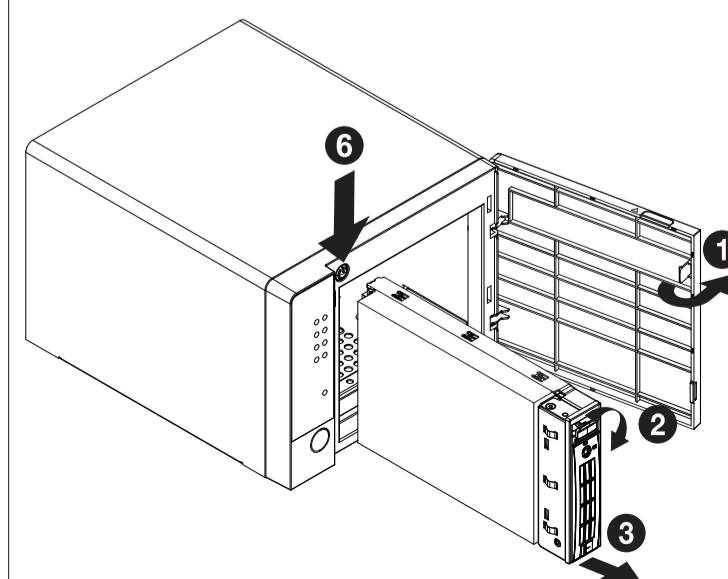
Do's and Don'ts

- GR-EZI04H can operate normally in the temperature of 5°C~35°C and relative humidity of 0%~90%. Please make sure the environment is well-ventilated.
- The power cord and devices connected to GR-EZI04H must provide correct supply voltage.
- Do not place any objects on top of the GR-EZI04H as this may cause overheating and interfere its normal operation.
- Do not place GR-EZI04H near any liquids. Do not place GR-EZI04H on any uneven surfaces as to avoid it falling off and getting damaged.
- Do not attempt to repair your GR-EZI04H under any conditions. Improper disassembly or the product may expose you to electric or other risks.
- Use the flat head screws in the product package to secure the hard disks into the GR-EZI04H.
- Do not place GR-EZI04H in direct sunlight or near chemicals. Make sure the temperature and humidity of the environment are in optimized level.
- Risk of explosion if battery is replaced by an incorrect type. Dispose of used batteries according to the instructions.
- Unplug the power cord and all connected cables before cleaning. Wipe GR-EZI04H with a damp towel. Do not use chemical or aerosol to clean GR-EZI04H.

For any enquiries, please contact the distributor.

Installing an Internal Hard Disk

Please refer to the following figure how to install an internal hard disk of GR-EZI04H.

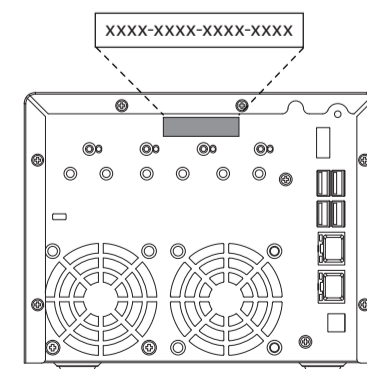


01. Open the bezel door.
02. Press the release button.
03. Pull the locking lever and remove the HDD tray.
04. Slide hard disk into blank.
05. Secure the hard drive to the tray with 4 screws as shown. Do not over tighten the screws. Slide the blank into the bay until it locks into place.
06. Press power button to boot up.

(Warning) If you install a hard disk that contains data, please back it up before installation just in case.

Product Key

GR-EZI04H Product Key Sticker



There is a product key sticker on the back of each device and looks like xxxx-xxxx-xxxx-xxxx. Please input product key when doing initialize setup in the first time.