

6BA

USER'S MANUAL

1. **System power on by PS/2 Mouse:** First, enable this function in CMOS Setup, then you can power on the system by double clicking the right or left button of your PS/2 Mouse.
2. **System power on by Keyboard:** If your ATX power supply supports larger than 300 mA 5V Stand-By current, you can power on your system by entering password from the Keyboard after setting the "Keyboard power on" jumper (JP1) and password in CMOS Setup.
3. **Support Modem Ring-On.** (Include internal Modem and external modem on COM A and COM B)
4. **Wake-up on LAN supports(on J11):** Your ATX power supply must support larger than 720 mA 5V Stand-By current.
5. **Support 3 steps ACPI LED.**
6. **Support LDCM**

For Intel Pentium® II / III / Celeron™ Processor MAINBOARD
REV. 2.9 First Edition

R-29-01-090122

The author assumes no responsibility for any errors or omissions which may appear in this document nor does it make a commitment to update the information contained herein.

Third-party brands and names are the property of their respective owners.

Sound Blaster is a registered trademark of Creative Technology Ltd in the United States and certain other countries. Sound Blaster-LINK and SB-LINK are trademarks of Creative Technology Ltd.

Jan 22, 1999 Taipei, Taiwan

I. Quick Installation Guide :

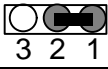
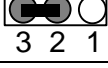
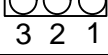
CPU SPEED SETUP

The system bus speed can be selectable between 66.6MHz and 100MHz. The user can select the system bus speed (JP8) and change the DIP SWITCH selection to set up the CPU speed for 233 - 633MHz processor.

● The CPU speed must match with the frequency RATIO. It will cause system hanging up if the frequency RATIO is higher than CPU's.

FREQ. RATIO	DIP SWITCH			
	1	2	3	4
X 3	ON	OFF	ON	ON
X 3.5	OFF	OFF	ON	ON
X 4	ON	ON	OFF	ON
X 4.5	OFF	ON	OFF	ON
X 5	ON	OFF	OFF	ON
X 5.5	OFF	OFF	OFF	ON
X 6	ON	ON	ON	OFF
X 6.5	OFF	ON	ON	OFF
X 7	ON	OFF	ON	OFF
X 7.5	OFF	OFF	ON	OFF
X 8	ON	ON	OFF	OFF
X 8.5	OFF	ON	OFF	OFF
X 9	ON	OFF	OFF	OFF
X 9.5	OFF	OFF	OFF	OFF

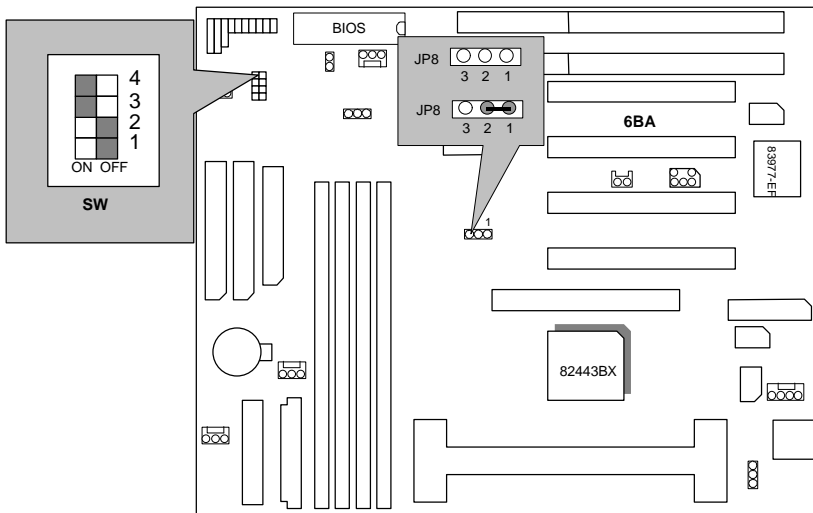
🔌 **JP8** (Select the system speed between 66.6MHz and 100MHz)

1-2 Close  3 2 1	Set system speed to 66MHz - system always run at 66MHz FSB (Front Side Bus).
2-3 Close  3 2 1	Set system speed to Auto - system speed detect automatically (66/ 100MHz FSB).
1-2-3 Open  3 2 1	Set system speed to 100MHz - system always run at 100MHz FSB (Front Side Bus).

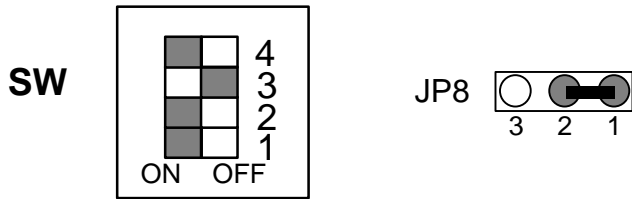
🔌 There are two ways to set system speed

- A. 66MHz forced (JP8 1-2 short) or Auto detect (2-3 short)
- B. 100MHz forced (JP8 1-2-3 open) or Auto detect (2-3 short)

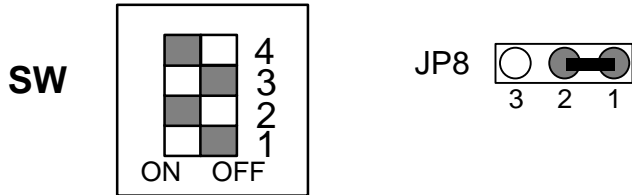
1. Pentium® II / Celeron™ 233 / 66 MHz FSB



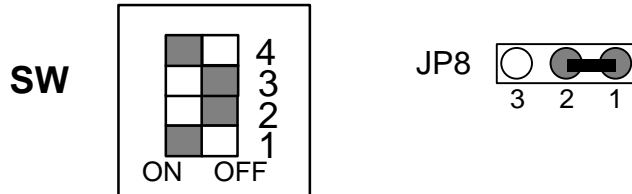
2. Pentium® II / Celeron™ 266 / 66 MHz FSB



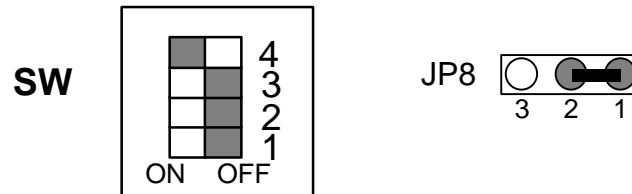
3. Pentium® II / Celeron™ 300MHz / Celeron™ 300A MHz/66MHz FSB



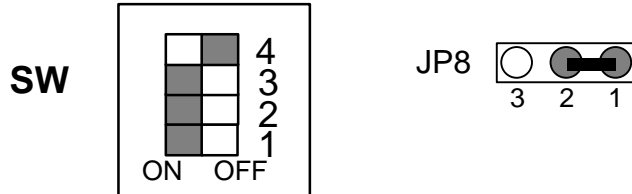
4. Pentium® II / Celeron™ 333 / 66 MHz FSB



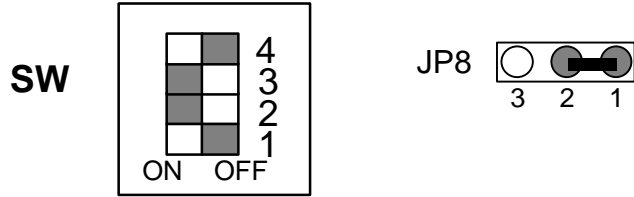
5. Pentium® II / Celeron™ 366 / 66 MHz FSB



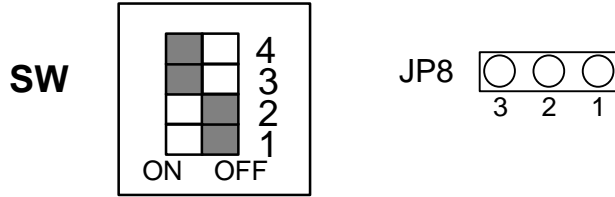
6. Pentium® II / Celeron™ 400 MHz / 66MHz FSB



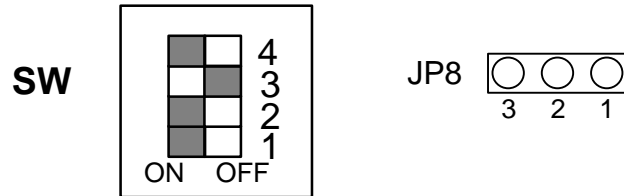
7. Pentium® II / Celeron™ 433 MHz / 66MHz FSB



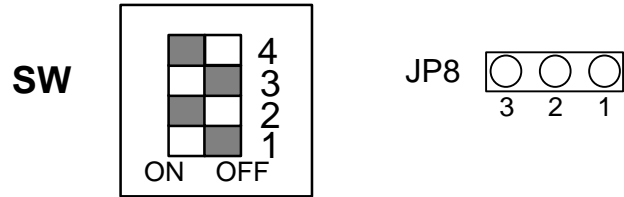
8. Pentium® II 350 / 100 MHz FSB



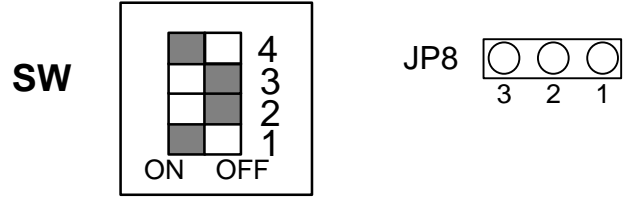
9. Pentium® II 400 / 100 MHz FSB



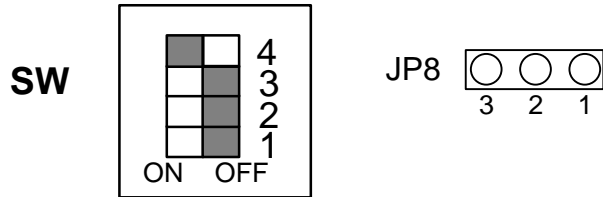
10. Pentium® III 450 / 100 MHz FSB



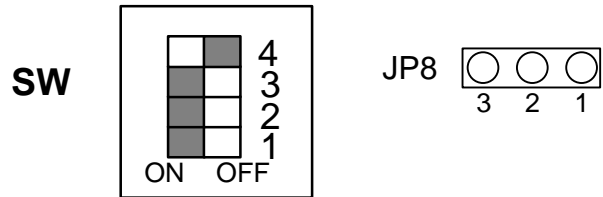
11. Pentium® III 500 / 100 MHz FSB



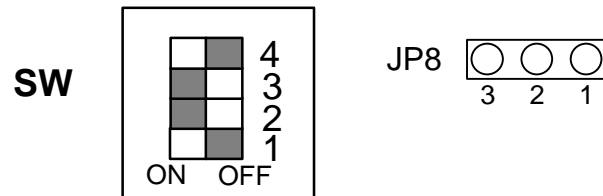
12. Pentium® III 550MHz / 100MHz FSB



13. Pentium® III 600MHz / 100MHz FSB

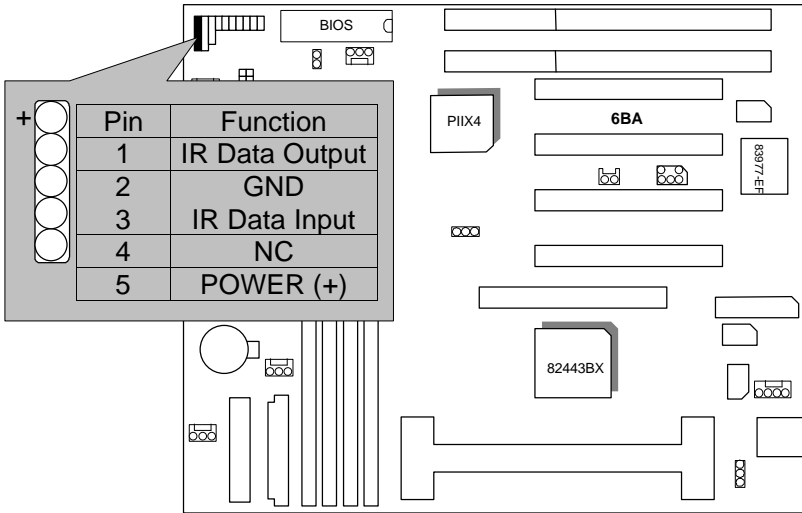


14. Pentium® III 650MHz / 100MHz FSB

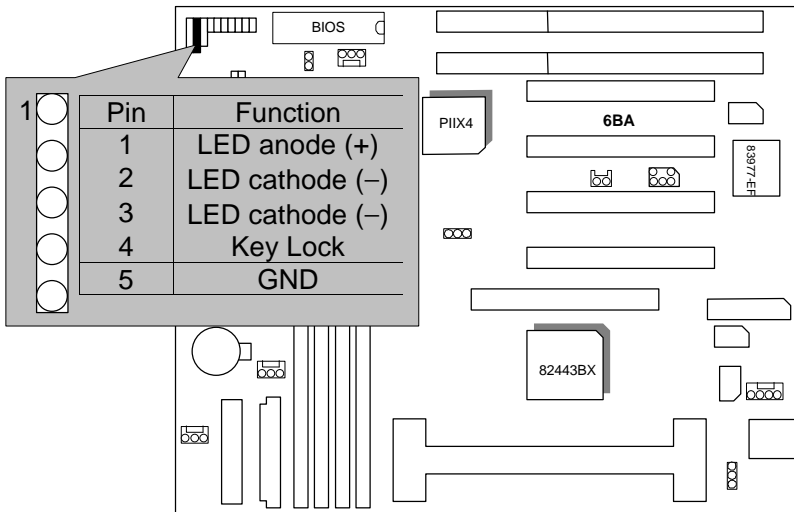


II. Jumper setting :

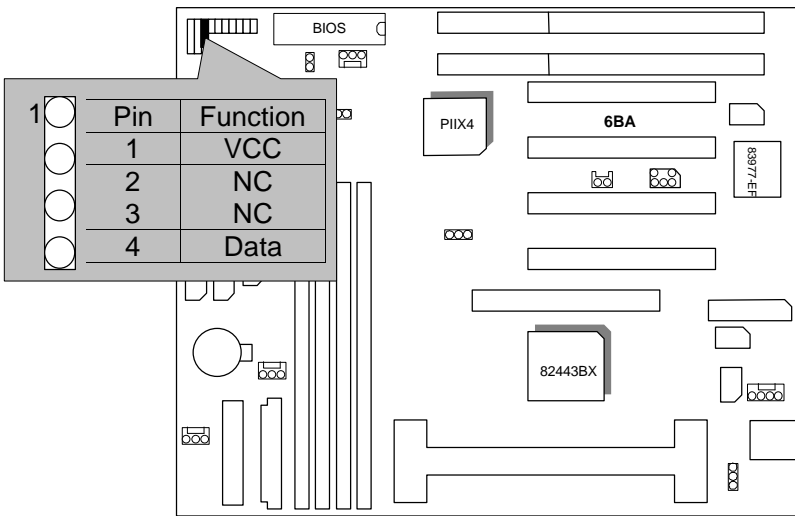
IR : Infrared Connector (Optional)



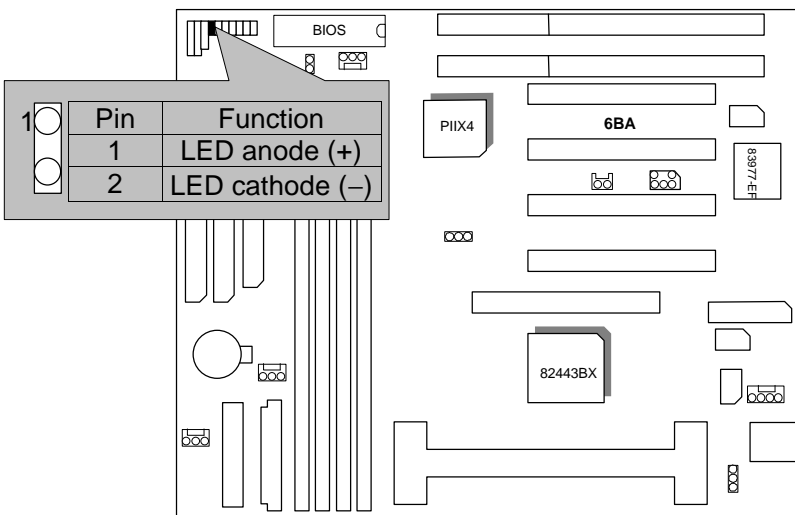
PWR : Power LED / Key-Lock Connector



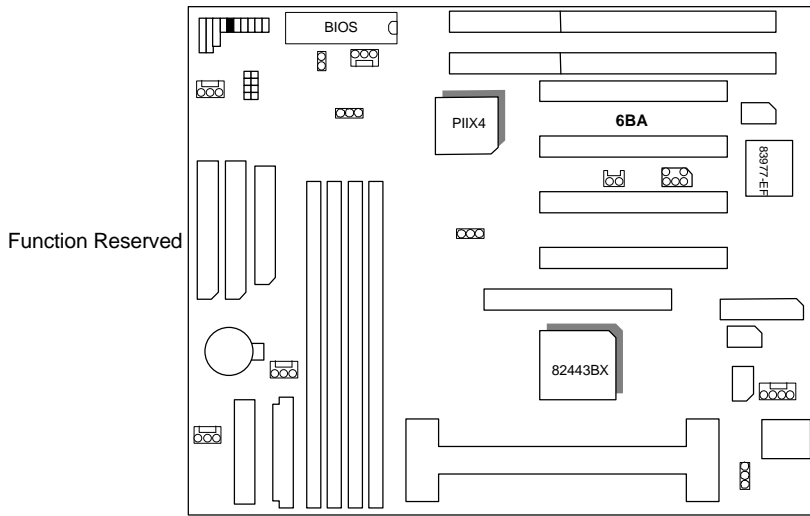
SPK : Speaker Connector



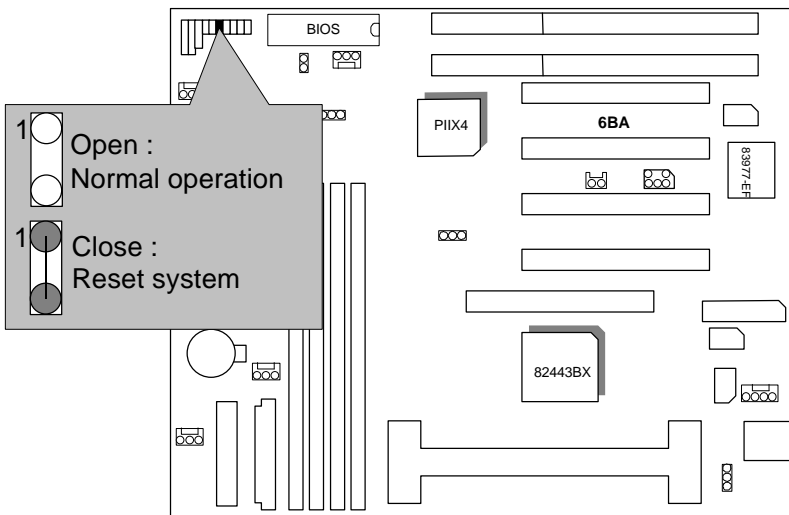
TD : Turbo LED Connector



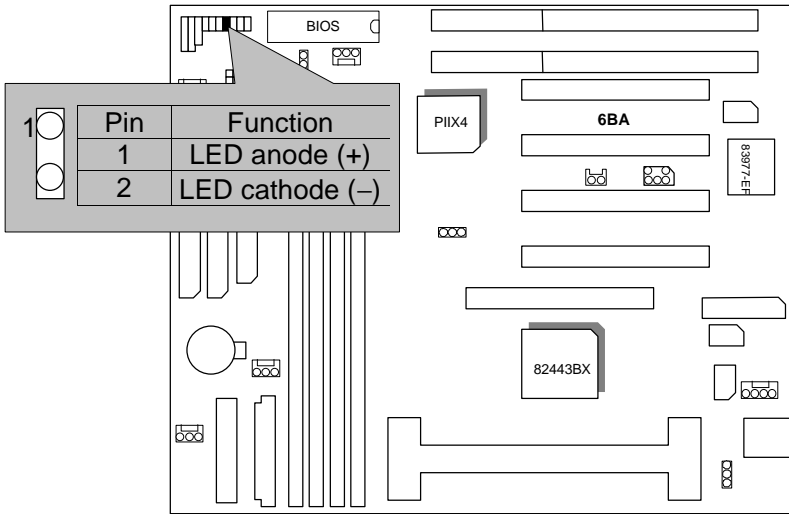
TB : Turbo Switch Connector



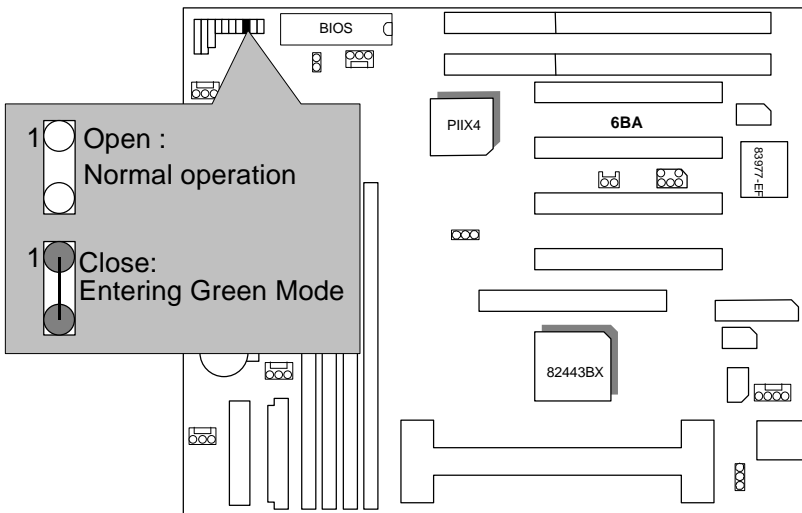
RST : Reset Switch



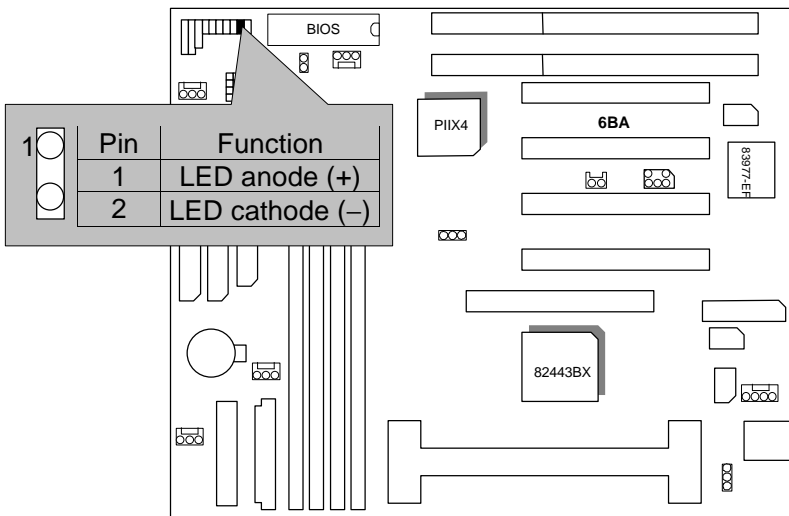
GD : Green Function LED



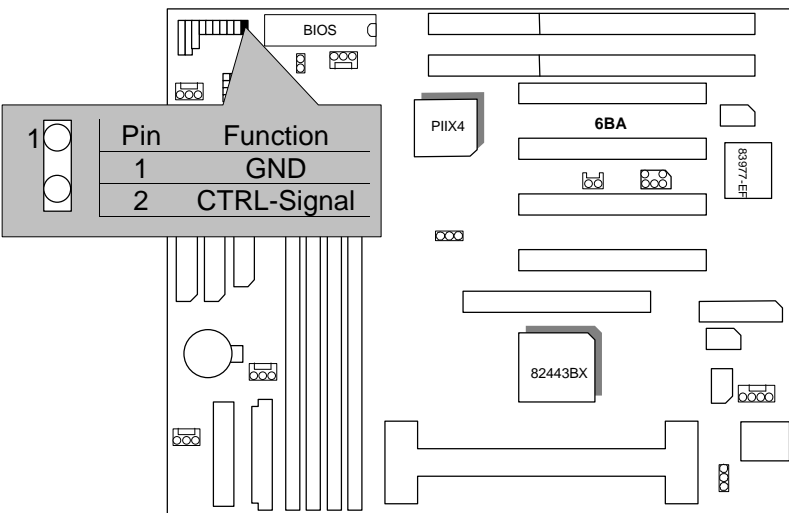
GN : Green Function Switch



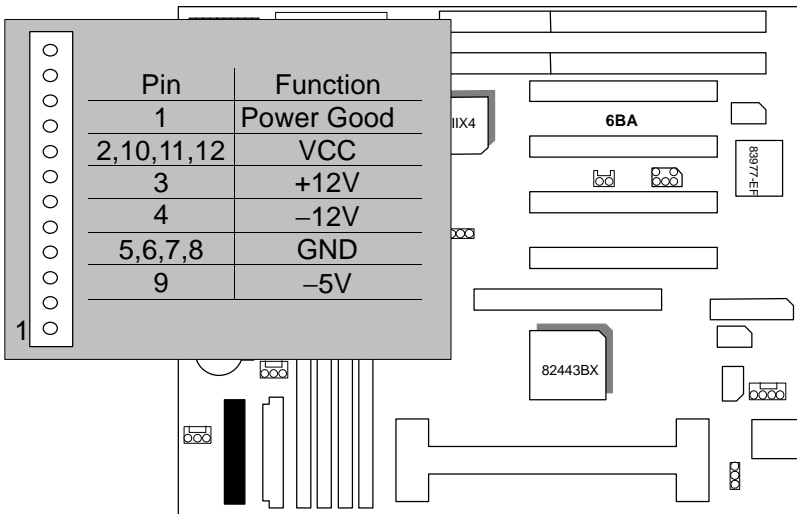
HD : IDE Hard Disk Active LED



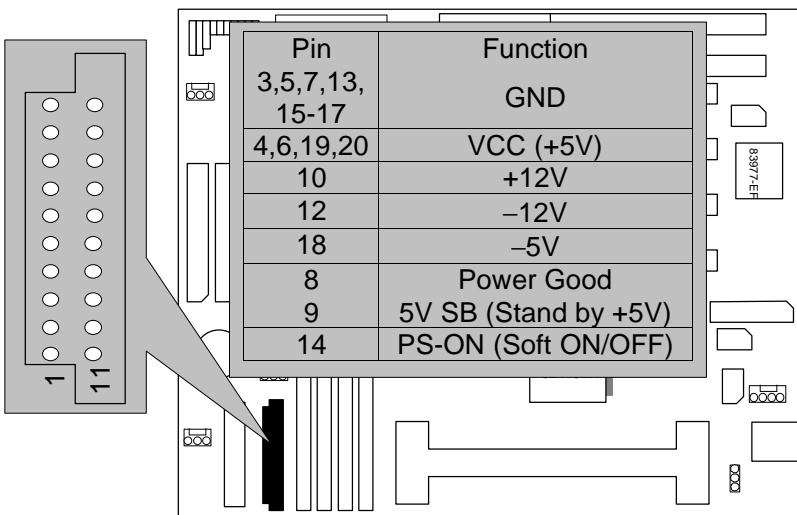
Soft PWR : Soft Power Connector



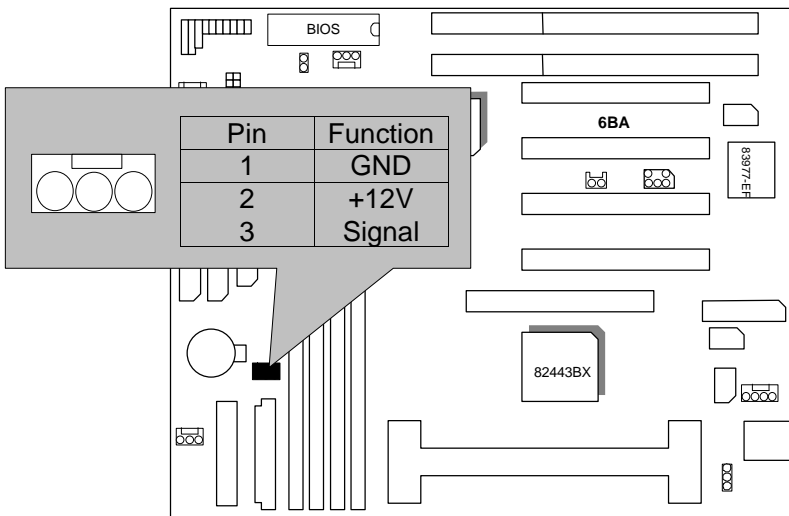
POWER : P8&P9 Power Connector



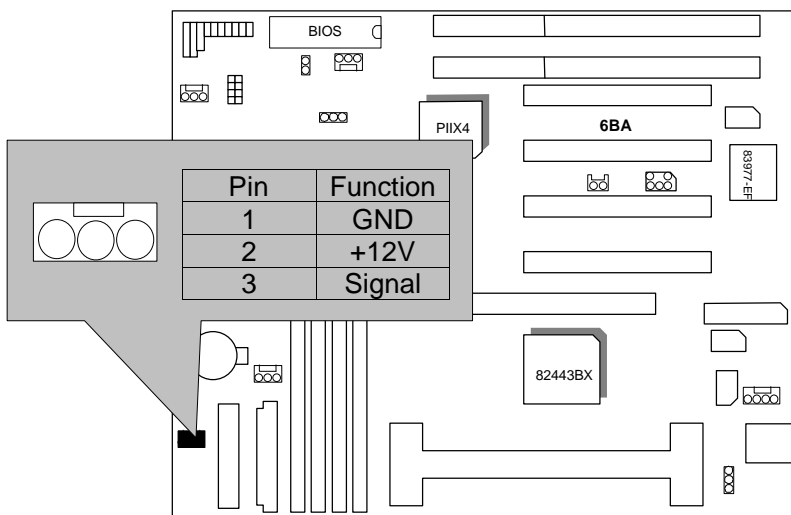
ATX POWER : ATX POWER Connector



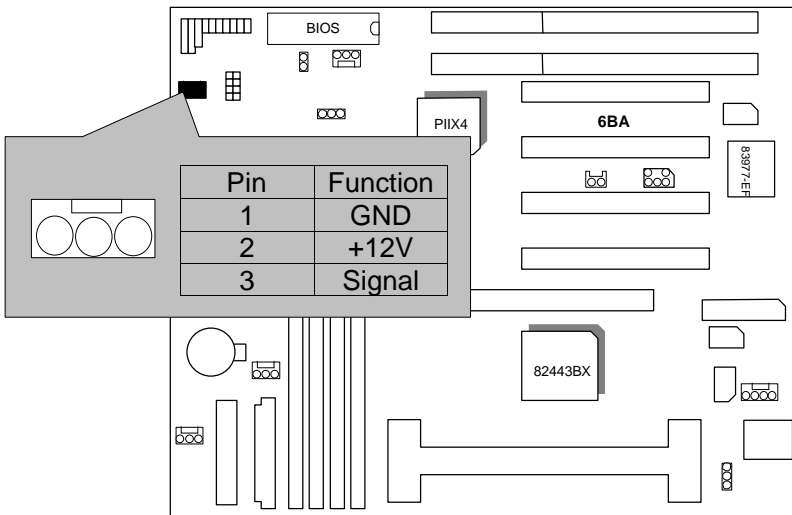
CPU FAN : CPU Cooling Fan Power Connector



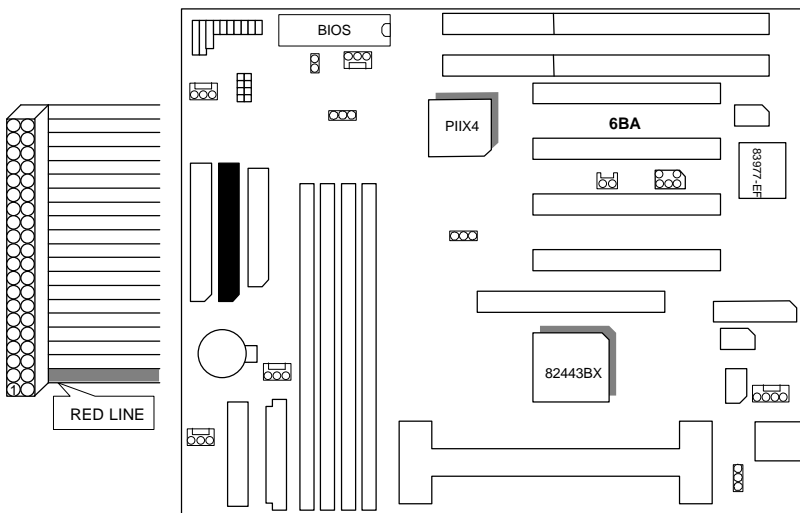
SYSTEM FAN : SYSTEM Fan Power Connector



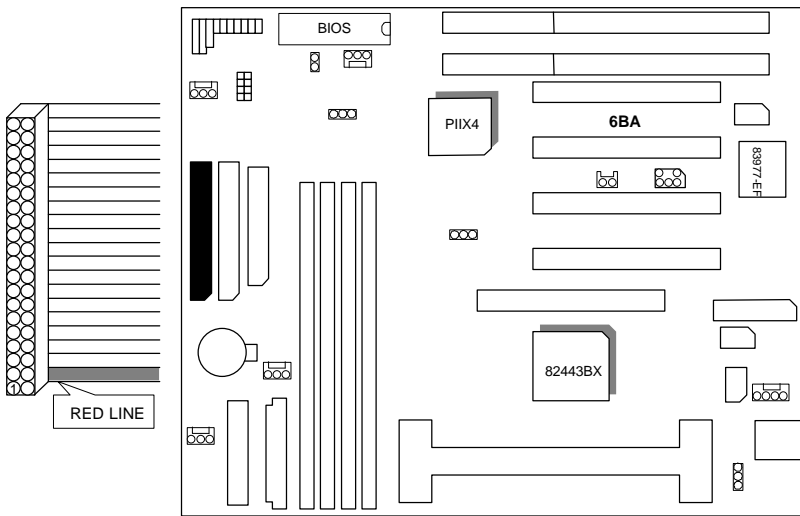
POWER FAN : POWER Fan Connector



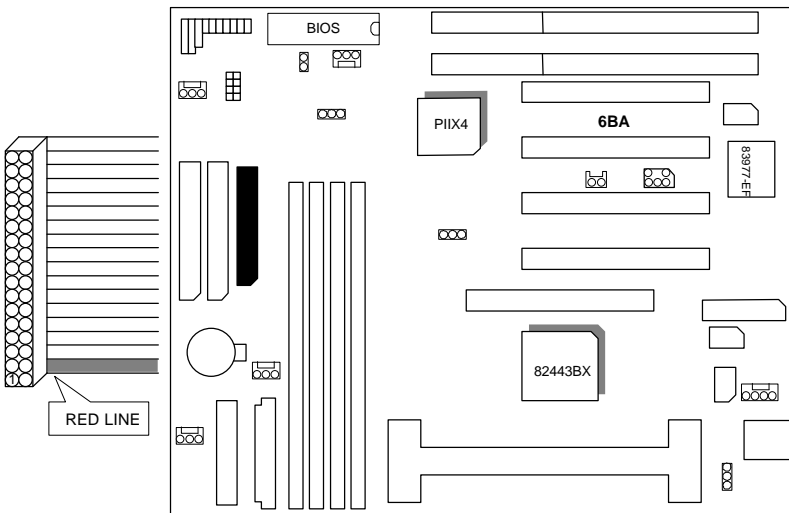
IDE1: Primary IDE port



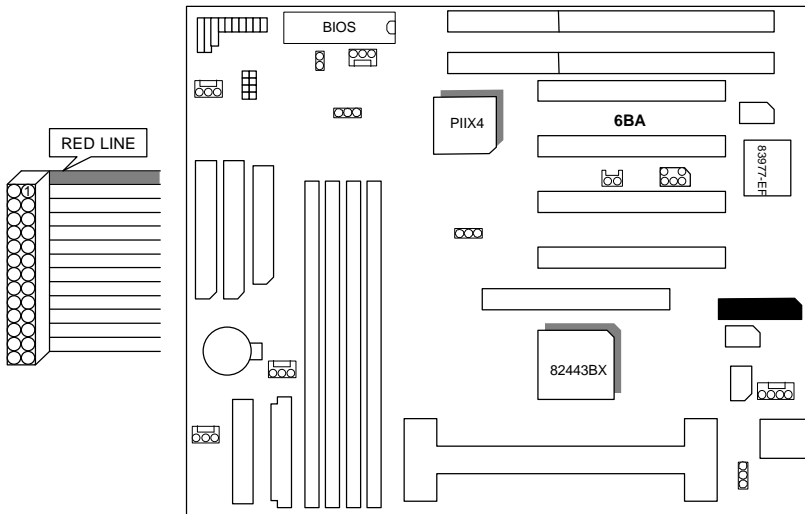
IDE2: Secondary IDE port



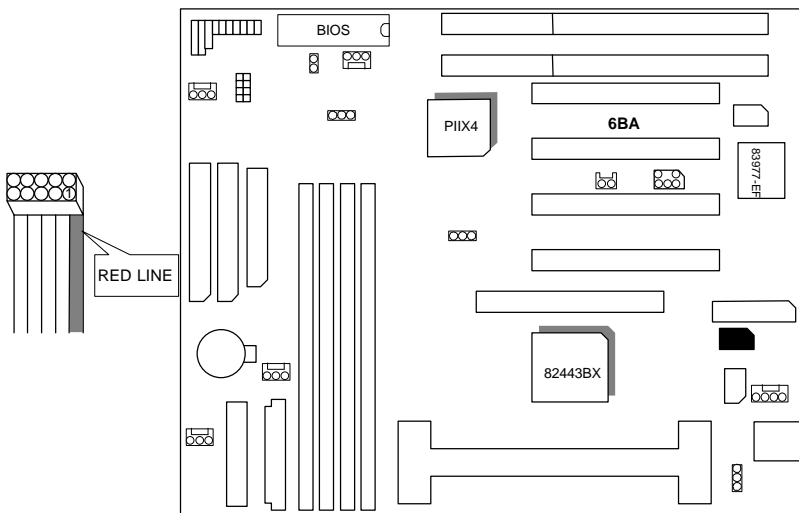
FLOPPY : FLOPPY PORT



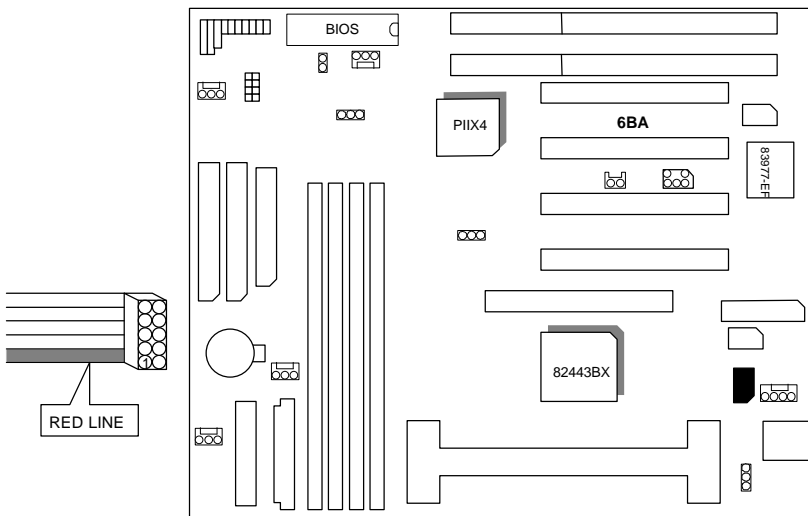
LPT : LPT PORT



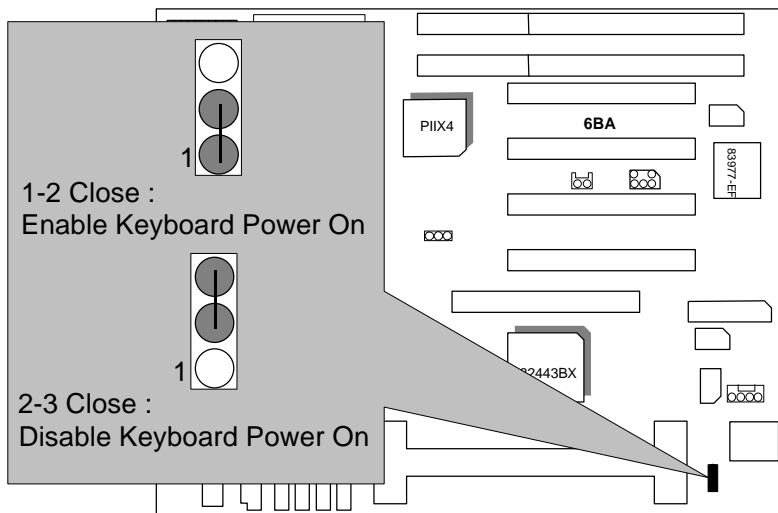
COMB : COM B PORT



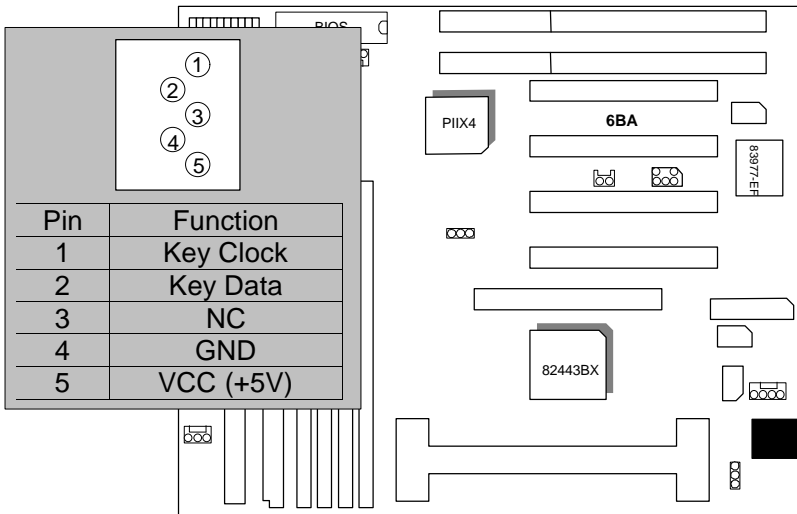
COMA : COM A PORT



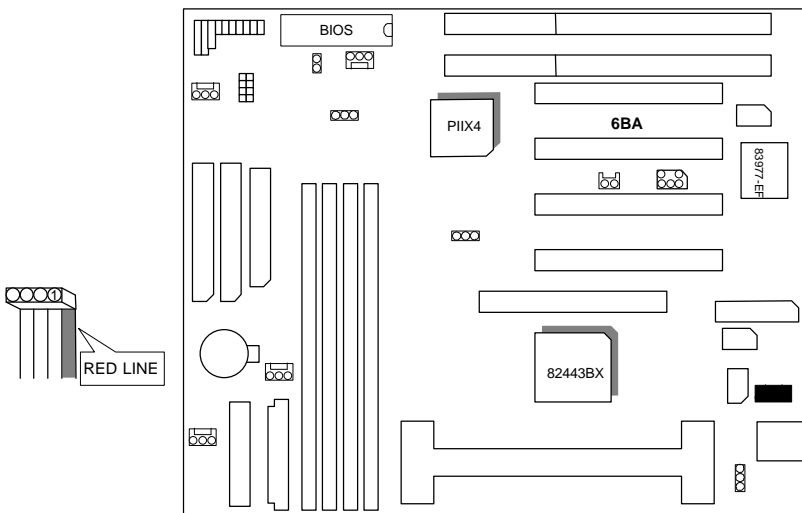
JP1 : Keyboard Power On (for ATX Power Supply only)



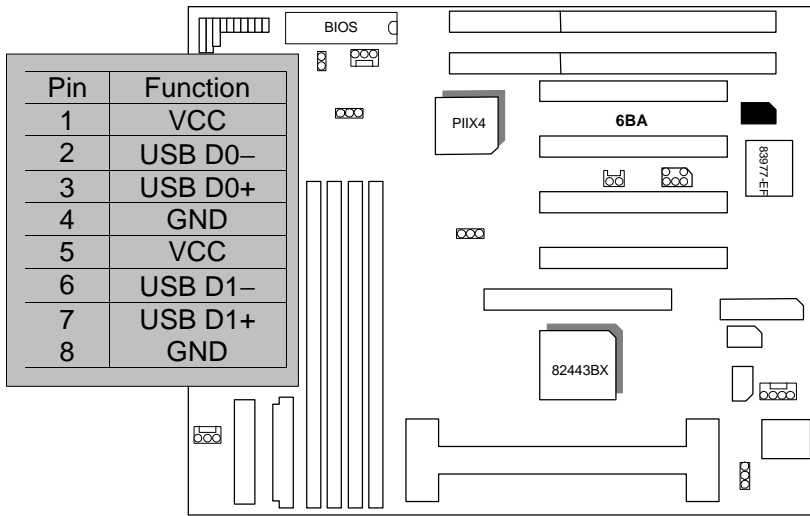
K.B : Keyboard Connector



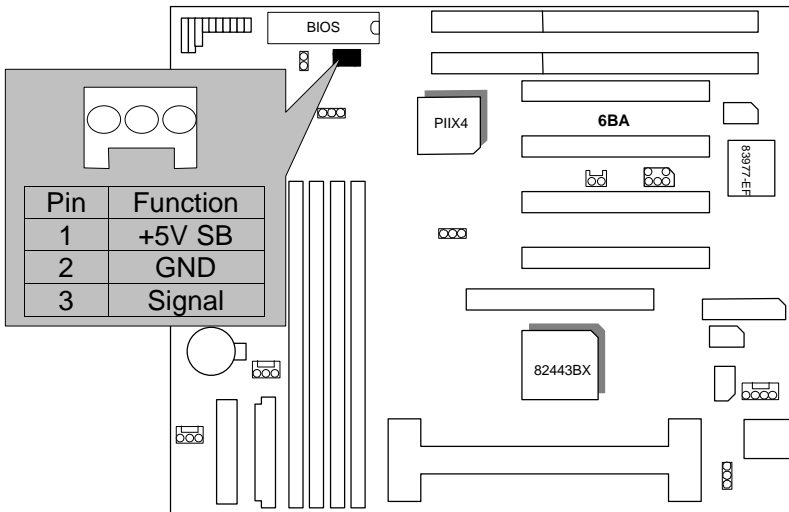
J4 : PS/2 MOUSE



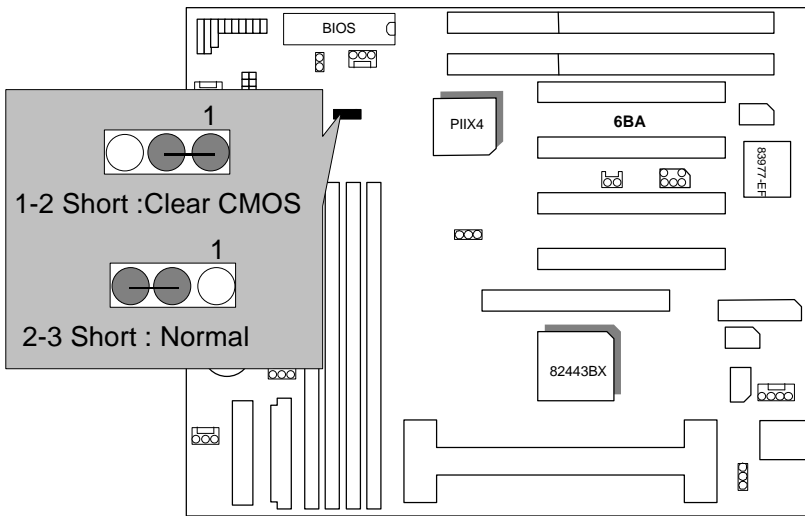
USB : USB Port



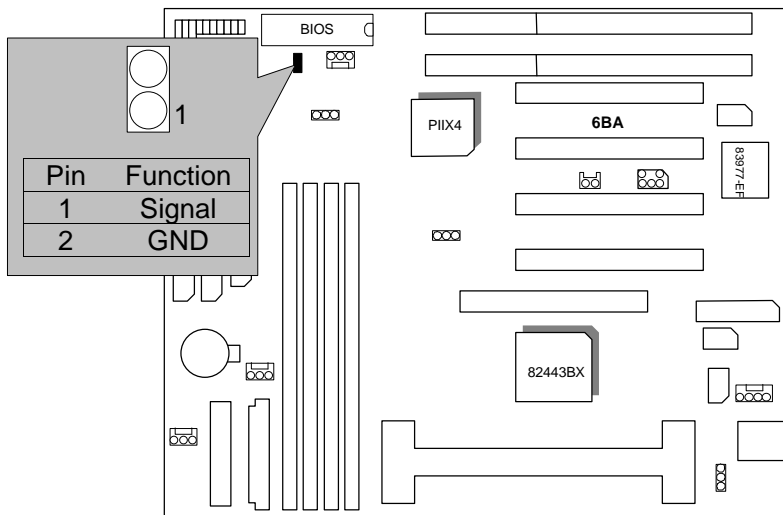
J11 : Wake on Lan
(for ATX Power Supply only)



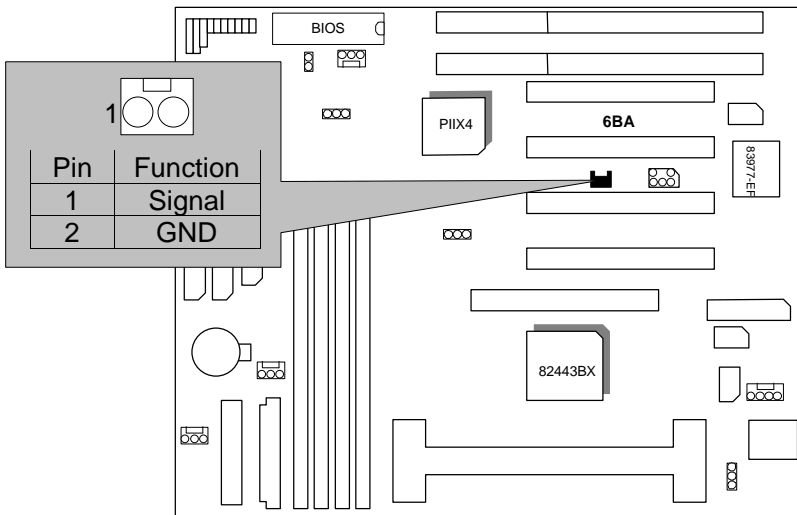
JP9 : CLEAR CMOS



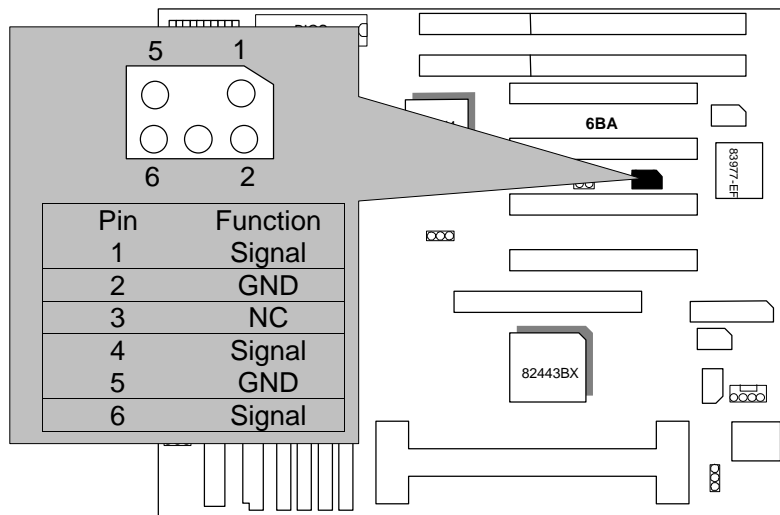
JP10 : CASE OPEN (Optional)



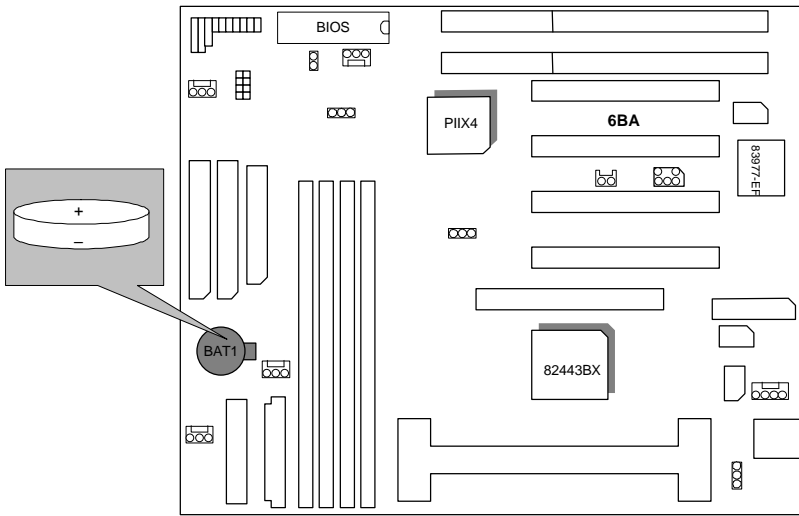
J19 : Internal Modem Card Ring PWR On



SB-LINK : For PCI Audio / Sound Card use only
(Creative PCI Sound Card Support)



BAT1 : For Battery



- ⚠ Danger of explosion if battery is incorrectly replaced.
- ⚠ Replace only with the same or equivalent type recommended by the manufacturer.
- ⚠ Dispose of used batteries according to the manufacturer's instructions.

III. Top Performance Test Setting:

The following performance data list is the testing results of some popular benchmark testing programs.

Users have to modify the value for each item in chipset features as follow for top performance setting.

ROM PCI/ISA BIOS (2A69KG0F) CHIPSET FEATURES SETUP AWARD SOFTWARE, INC.	
EDO CAS# Wait State : 1	Power Fail Alarm : Disabled
EDO RAS# Wait State : 1	Current CPU Temperature : 33°C/91°F
SDRAM CAS latency Time : 2	Current CPU Fan Speed : 5433RPM
DRAM Data Integrity Mode : Non-ECC	Current SYS.Fan Speed : 0RPM
System BIOS Cacheable : Enabled	Current Power Fan Speed : 0RPM
Video BIOS Cacheable : Enabled	Current CPUCore A : 2.01V
Video RAM Cacheable : Enabled	Current CPUCore B : 1.48V
16 Bit I/O Recovery Time : 1	Current +3.3V : 3.39V
Memory Hole At 15M-16M : Disabled	Current +5 V : 4.94V
Delayed Transaction : Disabled	Current +12 V : 12.09V
Clock Spread Spectrum : Disabled	Current -12 V : -12.26V
Shutdown Temperature : 75°C/167°F	Current -5 V : -5.09V
Slow Down CPU Duty Cycle : Normal	Current Battery Life : OK
CPU Temperature Select : 70°C/158°F	
Alarm When CPU Overheat : Disabled	ESC : Quit ↑↓↓ : Select Item
CPUFan Control : Disabled	F1 : Help PU/PD/+/- : Modify
CPUFan Fail Alarm : Disabled	F5 : Old Values (Shift)F2 : Color
SYS. Control : Disabled	F6 : Load BIOS Defaults
SYS. Fail Alarm : Disabled	F7 : LOAD PERFORMANCE DEFAULTS
Power Control : Disabled	

These data are just referred by users, and there is no responsibility for different testing data values gotten by users. (The different Hardware & Software configuration will result in different benchmark testing results.)

- CPU Pentium® II processor
- DRAM (32x4)MB SDRAM (LGS GM72V661641CT7J)
- CACHE SIZE 512 KB included in CPU
- DISPLAY GA-601 AGP Display Card (4MB SGRAM)
- STORAGE Onboard IDE (Seagate ST36530A)

- O.S. Windows NT ™4.0
- DRIVER Display Driver at 1024 x 768 x 64k colors x 75Hz.
TRIONES Bus Master IDE Driver 3.70

Processor	Intel Pentium® II	
	350MHz(100x3.5)	400MHz(100x4)
Winbench98		
CPU mark32	943	1080
FPU Winmark	1800	2060
Business Disk	2170	2190
Hi-End Disk	5810	5850
Business Graphics	203	223
Hi-End Graphics	218	241
Winstone98		
Business	35.3	37.3
Hi-End	39.7	42.8