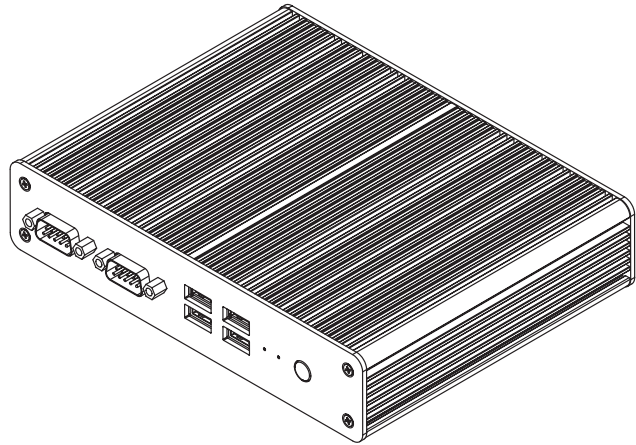


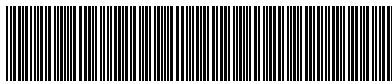
SBC Chassis

Quick Installation Guide



Box Contents

- ☑ Thermal pad kit
- ☑ Two VESA mounting screws
- ☑ Four rubber pads
- ☑ 導熱矽膠片- 1組
- ☑ VESA 安裝螺絲- 2顆
- ☑ 機殼腳墊- 4個
- ☑ 导热胶垫- 1組
- ☑ VESA 安裝螺絲- 2顆
- ☑ 机箱脚垫- 4个
- ☑ 导热胶垫- 1組
- ☑ VESA 安裝螺絲- 2顆
- ☑ 机箱脚垫- 4个
- ☑ 서멀 패드 키트 1개
- ☑ VESA 장착 나사 2 개
- ☑ 고무패드 4개
- ☑ サーマルパッドキット (x1)
- ☑ VESA取り付けネジ (x4)
- ☑ ゴムパッド (x4)

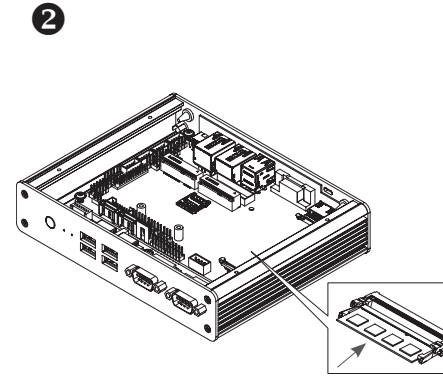
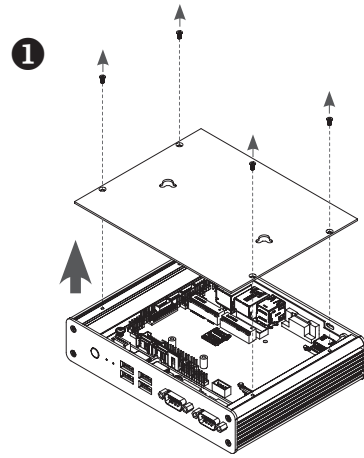


12QM-SBQUICK-101AR

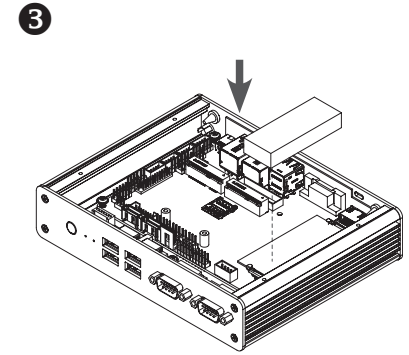


To reduce the impacts on global warming, the packaging materials of this product are recyclable and reusable. GIGABYTE works with you to protect the environment.

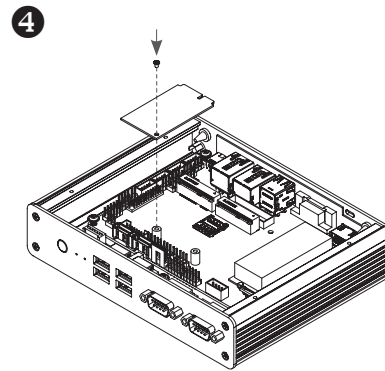
Installation



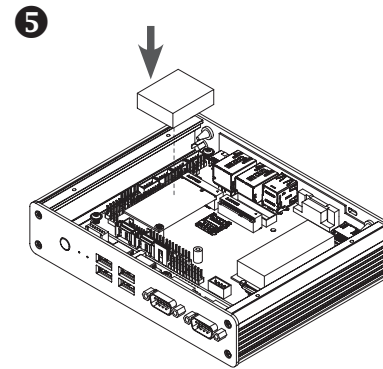
SO-DIMM



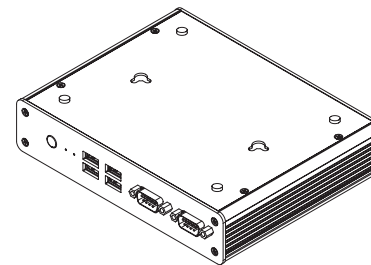
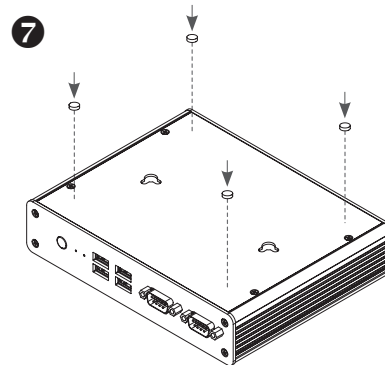
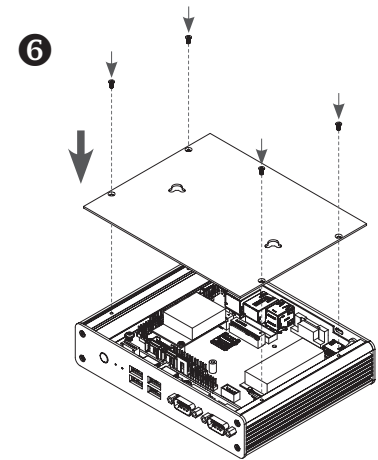
SO-DIMM Thermal Pad



mSATA or Mini-PCIe

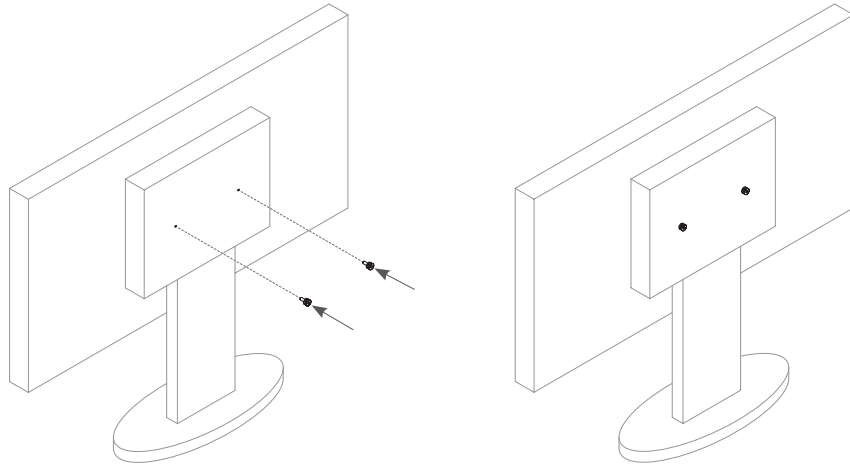


mSATA or Mini-PCIe Thermal Pad

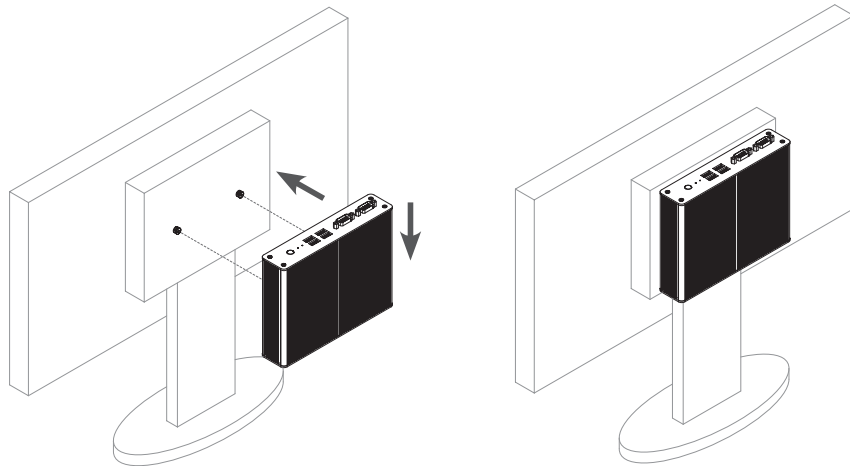


VESA Mounting Instructions

1



2



Declaration of Conformity

We, Manufacturer/Importer,
G.B.T. Technology Trading GmbH
 Address: **Bullenkoppel 16, 22047 Hamburg, Germany**
 Declare that the product
 Product Type: **Case with Motherboard**
 Product Name: **GA-SBCAP4200, GA-SBCAP3450, GA-SBCAP3350**
GB-SBCAP4200, GB-SBCAP3450, GB-SBCAP3350

conforms with the essential requirements of the following directives:

EMC Directive 2014/30/EU:
 Conduction & Radiated Emissions: EN 55032:2012+AC:2013
 Immunity: EN 55024:2010+A1:2015
 Power-line harmonics: EN 61000-3-2:2014
 Power-line flicker: EN 61000-3-3:2013

Low Voltage Directive 2014/35/EU:
 Safety: EN60950-1:2006+A11:2009+A12:2011+A2:2013

RoHS Directive 2011/65/EU
 Restriction of use of certain substances in electronic equipment: This product does not contain any of the restricted substances listed in Annex II, in concentrations and applications banned by the directive.

CE marking

 Signature: Timmy Huang

(stamp) Date: Feb. 22, 2019 Name: Timmy Huang

BSMI CNS15663 限用物質含有情況標示聲明書

Declaration of the Presence Condition of the Restricted Substances Marking

單元Unit	限用物質及其化學符號 Restricted substances and its chemical symbols					
	鉛Lead (Pb)	汞 Mercury (Hg)	鎘 Cadmium (Cd)	六價鉻 Hexavalent chromium (Cr ⁺)	多溴聯苯 Polybrominated biphenyls (PBB)	多溴二苯醚 Polybrominated diphenyl ethers (PBDE)
外殼 Housing	○	○	○	○	○	○
散熱模組(金屬部分) Thermal Module (Metal Part)	—	○	○	○	○	○
PCB板 PCB	○	○	○	○	○	○
連接器 Connectors	—	○	○	○	○	○
線材 Cables	○	○	○	○	○	○

備考1. "超出0.1 wt%"及"超出0.01 wt%"係指限用物質之百分比含量超出百分比含量基準值。
 Note 1: "Exceeding 0.1 wt%" and "exceeding 0.01 wt%" indicate that the percentage content of the restricted substance exceeds the reference percentage value of presence condition.
 備考2. "○"係指該項限用物質之百分比含量未超出百分比含量基準值。
 Note 2: "○" indicates that the percentage content of the restricted substance does not exceed the percentage of reference value of presence.
 備考3. "—"係指該項限用物質為排除項目。
 Note 3: "—" indicates that the restricted substance corresponds to the exemption.

DECLARATION OF CONFORMITY

Per FCC Part 2 Section 2.1077(a)



Responsible Party Name: **G.B.T. INC. (U.S.A.)**

Address: **17358 Railroad Street
 City of Industry, CA 91748**

Phone/Fax No: (626) 854-9338/ (626) 854-9326

hereby declares that the product

Product Name: **Case with Motherboard**
 GA-SBCAP4200/GA-SBCAP3450/
 Model Number: **GA-SBCAP3350/GA-SBCAP4200/
 GB-SBCAP3450/GB-SBCAP3350**

Conforms to the following specifications:

FCC Part 15, Subpart B, Section 15.107(a) and Section 15.109
 (a), Class B Digital Device

Supplementary Information:

This device complies with part 15 of the FCC Rules. Operation is subject to the following two conditions: (1) This device may not cause harmful and (2) this device must accept any interference received, including that may cause undesired operation.

Representative Person's Name: ERIC LU

Signature: Eric Lu

Date: Feb. 22, 2019

关于符合中国《电子信息产品污染控制管理办法》的声明
 Management Methods on Control of Pollution from Electronic Information Products
 (China RoHS Declaration)

产品中有害物质的名称及含量
 Hazardous Substances Table

部件名称(Parts)	有害物质(Hazardous Substances)					
	铅(Pb)	汞(Hg)	镉(Cd)	六价铬(Cr(VI))	多溴联苯(PBB)	多溴二苯醚(PBDE)
外壳 Housing	○	○	○	○	○	○
散热模块(金属部分) Thermal Module (Metal Part)	×	○	○	○	○	○
PCB板 PCB	○	○	○	○	○	○
连接器 Connectors	×	○	○	○	○	○
线材 Cables	○	○	○	○	○	○

These tables are prepared in accordance with the provisions of SJ/T 11364
 本表格依据SJ/T 11364 的规定编制。
 ○ : The content of such hazardous substance in all homogeneous materials of such component is below the limit required by GB/T 26572.
 表示该有害物质在该部件所有均质材料中的含量均在GB/T 26572规定的限量要求以下。
 × : The content of such hazardous substance in a certain homogeneous material of such component is beyond the limit required by GB/T 26572.
 表示该有害物质至少在该部件的某一均质材料中的含量超出GB/T 26572 规定的限量要求。

Copyright

© 2019 GIGA-BYTE TECHNOLOGY CO., LTD. All rights reserved.

The trademarks mentioned in this manual are legally registered to their respective owners.

Disclaimer

Information in this manual is protected by copyright laws and is the property of GIGABYTE.

Changes to the specifications and features in this manual may be made by GIGABYTE without prior notice.

No part of this manual may be reproduced, copied, translated, transmitted, or published in any form or by any means without GIGABYTE's prior written permission.

For product-related information, check on our website at: <https://www.gigabyte.com>



Contact Us

GIGA-BYTE TECHNOLOGY CO., LTD.

Address: No.6, Baoqiang Rd., Xindian Dist., New Taipei City 231, Taiwan

TEL: +886-2-8912-4000, FAX: +886-2-8912-4005

Tech. and Non-Tech. Support (Sales/Marketing): <https://esupport.gigabyte.com>

WEB address (English): <https://www.gigabyte.com>

WEB address (Chinese): <https://www.gigabyte.com/tw>

GIGABYTE™