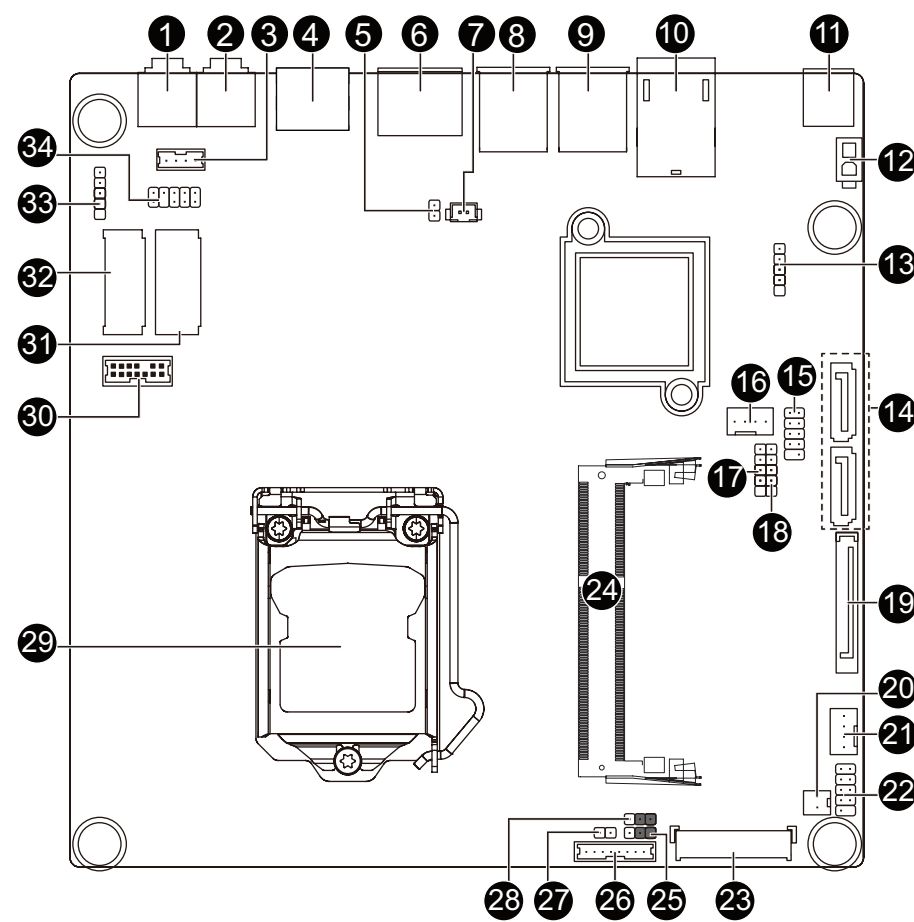
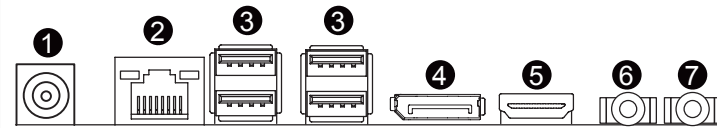


MDH11JI Quick Reference Guide/ 快速测试参考指南

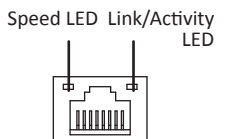


No.	Code	Description
1	MIC_IN	Audio Mic In port
2	LINE_OUT	Audio Line Out port
3	SPKR	Speaker cable connector
4	HDMI	HDMI port
5	CLR_CMOS	Clear CMOS jumper
6	DP	Display port connector
7	BATTERY	Battery cable connector
8	USB3_2	USB 3.0 ports
9	USB3_1	USB 3.0 ports
10	LAN	GbE LAN port
11	DC_IN	DC In power connector
12	ATX_19V	2 pin power connector
13	FUSB2_5	USB 2.0 header
14	SATAIII_1	SATA 6Gb/s connectors
	SATAIII_0	
15	FUSB2_1	USB 2.0 header
16	SYS_FAN	System fan connector
17	FUSB2_2	USB 2.0 header
18	FUSB2_4	USB 2.0 header
19	SATA_PWR	Hard disk power connector
20	MON_SW	Monitor power switch header
21	CPU_FAN	CPU fan connector
22	SYS_PANEL	Front panel header
23	LVDS	LVDS connector
24	SO_DIMM1	DDR4 SO-DIMM slot
25	FPD_PWR	LVDS power select jumper (12V/19V)
26	FPD	Flat Panel Display connector
27	BL_SW	Back light brightness switch
28	LCD_VCC	LVDS Drive voltage jumper
29		Intel 6th Generation Core Processor with LGA 1151 socket
30	TPM_LPC	TPM module connector
31	M2_E	M.2 slot (PCIe Gen2 x1, Support NGFF-2230, E-Key)
32	M2_M	M.2 slot (SATA 6Gb/s)
33	DMIC_CON	Digital Mic connector
34	FP_AUDIO	Front audio header

Rear I/O Connector/ 后面板接口



No.	Description
1	DC In power connector
2	GbE Ethernet LAN port
3	USB 3.0 ports
4	Display port connector
5	HDMI port
6	Line Out port (Green)
7	Mic In port (Pink)



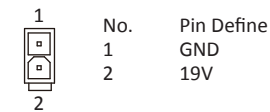
10/100/1000 LAN LED:

State	Description
Yellow On	1Gbps data rate
Green On	100Mbps data rate
Off	10Mbps data rate



The HDMI connector is HDCP compliant and supports Dolby True HD and DTS HD Master Audio formats. It also supports up to 192KHz/24bit 8-channel LPCM audio output. You can use this port to connect your HDMI-supported monitor. The maximum supported resolution is 4096x2160@24Hz or 2560x1600@60Hz, but the actual resolutions supported are dependent on the monitor being used.

Power Connector/ 电源



No.	Pin Define
1	GND
2	19V

CPU/System FAN/ 风扇



No.	Pin Define
1	GND
2	+12V
3	Sense
4	Speed Control

Back Light Switch Header

No.	Pin Define
1	Back light down
2	Back light up

Battery Cable Connector

No.	Pin Define
1	Battery+
2	GND

Front Panel Header/ 前面板

No.	Pin Define
1	HDD LED+
2	Power LED+
3	HDD LED-
4	Power LED-
5	GND
6	Power Button+
7	Reset Button
8	Power Button-
9	No Connect
10	No Pin

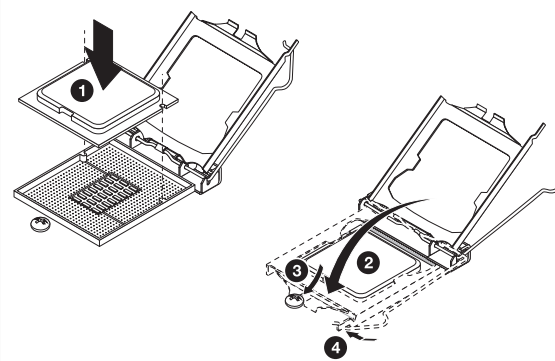
USB 2.0 Header

No.	Pin Define	No.	Pin Define
1	Power (5V)	1	VCC
2	Power (5V)	2	USB-
3	USB DX-	3	USB+
4	USB DY-	4	GND
5	USB DX+	5	No Pin
6	USB DY+		
7	GND		
8	GND		
9	No Pin		
10	No Connect		

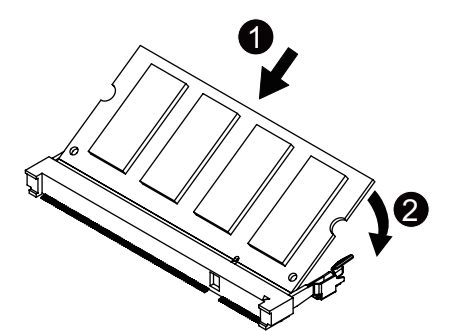
TPM LPC Connector/ 可信平台模块

No.	Pin Define
1	Clock
2	P_3V3_AUX
3	LPC_RST
4	P3V3
5	LPC_LAD0
6	IRQ_SERIAL
7	LPC_LAD1
8	TPM_DET(Default H)
9	LPC_LAD2
10	No Pin
11	LPC_LAD3
12	GND
13	LPC_FRAME_N
14	GND

Installing CPU/ 安装 CPU



Memory Population Configuration/ 安装内存



SATA Connector/SATA 接口

No.	Pin Define
1	GND
2	TXP
3	TXN
4	GND
5	RXN
6	RXP
7	GND

LVDS

No.	Pin Define	No.	Pin Define	No.	Pin Define	No.	Pin Define
1	+RXO3_C	11	+RXE2_C	21	No Connect	31	SMB_CLK_CON
2	-RXO3_C	12	-RXE2_C	22	VCC3	32	SC_BKLT_EN
3	+RXO2_C	13	+RXE1_C	23	GND	33	SC_BKLT_CTRL
4	-RXO2_C	14	-RXE1_C	24	-Cable Detect	34	+RXECLKE_C
5	+RXO1_C	15	+RXE0_C	25	GND	35	-RXECLKE_C
6	-RXO1_C	16	-RXE0_C	26	+RXECLKO_C	36	FPD_19V
7	+RXO0_C	17	GND	27	-RXECLKO_C	37	FPD_19V
8	-RXO0_C	18	LCD_VCC	28	GND	38	FPD_19V
9	+RXE3_C	19	LCD_VCC	29	GND	39	No Connect
10	-RXE3_C	20	LCD_VCC	30	GND	40	SMB_DATA_CON

NOTE! Cable detect pin 24 must connect to ground.

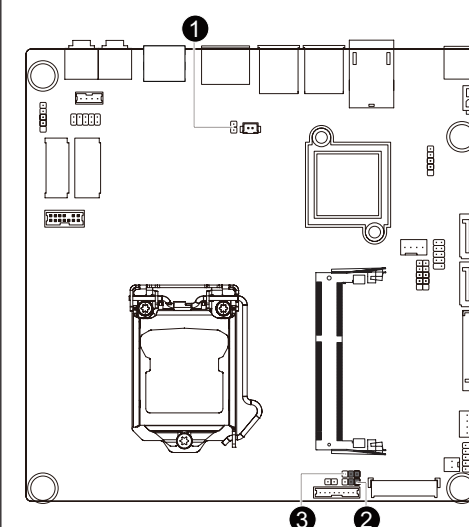
Digital MIC In Connector

No.	Pin Define
1	VCC
2	DMIC DATA
3	GND
4	DMIC CLK
5	No Pin

Monitor Power Switch

No.	Pin Define
1	High/ow: turn on/off monitor
2	GND

Jumper Settings/ 跳线设置



No.	Description
1	Clear CMOS Jumper Open: Normal operation (Default setting) Close: Clear CMOS data.
2	LVDS Power Select Jumper 1-2 Close: Set to 12V. 2-3 Close: Set to 19V. (Default setting)
3	LVDS Drive Voltage Jumper 1-2 Close: Set to 3V. 2-3 Close: Set to 5V. (Default setting)

Hard disk power connector

No.	Pin Define	No.	Pin Define
1	VCC3	11	GND
2	VCC3	12	GND
3	DEVSLP	13	+12V
4	GND	14	+12V
5	GND	15	+12V
6	GND	P1	GND
7	VCC	P2	GND
8	VCC	N1	GND
9	VCC	N2	GND
10	GND		

Flat Panel Display Connector

No.	Pin Define
1	Backlight enable
2	Backlight control
3	Backlight inverter power
4	Backlight inverter power
5	GND
6	GND
7	Panel brightness increase
8	Panel brightness decrease

Speaker Cable Connector

No.	Pin Define
1	Speaker Out R-
2	Speaker Out R+
3	Speaker Out L+
4	Speaker Out L-

Front Audio Connector/ 前置音频

No.	Pin Define	No.	Pin Define
1	MIC2_L	6	MIC2_JD
2	GND	7	GND
3	MC2_R	8	No Pin
4	FP_AUDIO_DET	9	LINE2_L
5	LINE2_R	10	LINE2_JD

Regulatory Notices

WEEE Symbol Statement



The symbol shown below is on the product or on its packaging, which indicates that this product must not be disposed of with other waste. Instead, the device should be taken to the waste collection centers for activation of the treatment, collection, recycling and disposal procedure. The separate collection and recycling of your waste equipment at the time of disposal will help to conserve natural resources and ensure that it is recycled in a manner that protects human health and the environment. For more information about where you can drop off your waste equipment for recycling, please contact your local government office, your household waste disposal service or where you purchased the product for details of environmentally safe recycling.

- When your electrical or electronic equipment is no longer useful to you, "take it back" to your local or regional waste collection administration for recycling.
- If you need further assistance in recycling, reusing in your "end of life" product, you may contact us at the Customer Care number listed in your product's user's manual and we will be glad to help you with your effort.

Restriction of Hazardous Substances (RoHS) Directive Statement

GIGABYTE products have not intended to add and safe from hazardous substances (Cd, Pb, Hg, Cr+6, PBDE and PBB). The parts and components have been carefully selected to meet RoHS requirement. Moreover, we at GIGABYTE are continuing our efforts to develop products that do not use internationally banned toxic chemicals.

限制使用有害物质 (RoHS) 指令声明

GIGABYTE产品未故意添加和使用有害物质（Cd、Pb、Hg、Cr+6、PBDE和PBB）。所有部件和元件均经过严格挑选，符合RoHS要求。此外，我们GIGABYTE一直致力于开发不使用国际上禁止的有毒化学品的产品。

California Proposition 65 Warning

WARNING:

This product contains a chemicals , including lead, known to the State of California to cause cancer and birth defects or other reproductive harm. For more information, please visit: <http://www.p65warnings.ca.gov/>



Battery Warning:

Incorrectly installing a battery or using incompatible battery may increase the risk of ifre explosion. Replace the battery only with the same or equivalent type.

- Do not disassemble, crush, puncture batteries.
- Do not store or place your battery pack next to or in a heat source such as a fire, heatgenerating appliance, can or exhaust vent. Heating battery cells to temperatures above 65oC (149oF) can cause explosion or fire.
- Do not attempt to open or service batteries. Do not dispose of batteries in a fire or with household waste.



电池警告：

电池安装不当或使用不兼容的电池会增加火灾爆炸风险。更换电池时，只可使用相同或同等类型的电池。

- 请勿拆解、挤压、刺破电池。
- 请勿将电池存放或放置在热源中或旁边，如火源、产生热的设备、罐体或排气口。电池温度升至65oC (149oF)以上可能导致爆炸或火灾。
- 请勿尝试打开或维修电池。电池废弃时，请勿投入火中或者作为家庭废弃物进行处理。

Connect With Us

For more information, visit our website at:

<http://b2b.gigabyte.com>

You are a professional?

Get access to our complete source of sales & marketing materials at:

<http://reseller.b2b.gigabyte.com>

Join our server forum to discuss our products and get technical assistance at:

<http://forum.b2b.gigabyte.com>



<https://www.facebook.com/gigabyteserver>

中华人民共和国电子信息产品中有毒有害物质或元素的名称及含量标识格式

依照中华人民共和国的有毒有害物质的限制要求(China RoHS)提供以下的表格：



关于符合中国《电子信息产品污染控制管理办法》的声明
Management Methods on Control of Pollution from Electronic Information Products
(China RoHS Declaration)

产品中有毒有害物质或元素的名称及含量
Hazardous Substances Table

部件名称 (Parts)	有毒有害物质或元素 (Hazardous Substances)					
	铅 (Pb)	汞 (Hg)	镉 (Cd)	六价铬 (Cr (VI))	多溴联苯 (PBB)	多溴二苯醚 (PBDE)
PCB板 PCB	○	○	○	○	○	○
结构件及风扇 Mechanical parts and Fan	×	○	○	○	○	○
芯片及其他主动零件 Chip and other Active components	×	○	○	○	○	○
连接器 Connectors	×	○	○	○	○	○
被动电子元件 Passive Components	×	○	○	○	○	○
线材 Cables	○	○	○	○	○	○
焊接金属 Soldering metal	○	○	○	○	○	○
助焊剂、散热膏、标签及其他耗材 Flux, Solder Paste, Label and other Consumable Materials	○	○	○	○	○	○
○:表示该有毒有害物质在该部件所有均质材料中的含量均在SJ/T11363-2006标准规定的限量要求以下。 Indicates that this hazardous substance contained in all homogenous materials of this part is below the limit requirement SJ/T 11363-2006						
×:表示该有毒有害物质至少在该部件的某一均质材料中的含量超出SJ/T11363-2006标准规定的限量要求。 Indicates that this hazardous substance contained in at least one of the homogenous materials of this part is above the limit requirement in SJ/T 11363-2006						
对销售之日的所发售产品，本表显示我公司供应链的电子信息产品可能包含这些物质。注意：在所售产品中可能会也可能不会含有所有列出的部件。 This table shows where these substances may be found in the supply chain of our electronic information products, as of the date of the sale of the enclosed products. Note that some of the component types listed above may or may not be a part of the enclosed product.						