

GIGABYTE™

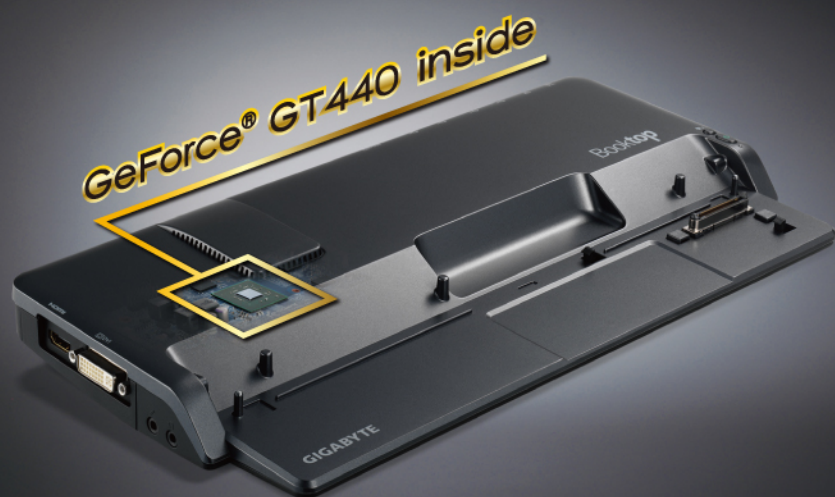
D2432

USER'S MANUAL

使 用 手 冊

• English

V1.0



* Images Used for Reference Only

Regulatory Notices


CB :

- Only use batteries designed for this computer. The wrong battery type may explode, leak or damage the computer.
- Do not remove any batteries from the computer while it is powered on.
- Do not continue to use a battery that has been dropped, or that appears damaged (e.g. bent or twisted) in any way. Even if the computer continues to work with a damaged battery in place, it may cause circuit damage, which may possibly result in fire.
- Recharge the batteries using the Notebook's system. Incorrect recharging may make the battery explode.
- Do not try to repair a battery pack. Refer any battery pack repair or replacement to your service representative or qualified service personnel.
- Keep children away from, and promptly dispose of a damaged battery. Always dispose of batteries carefully. Batteries may explode or leak if exposed to fire, or improperly handled or discarded.
- Keep the battery away from metal appliances.
- Affix tape to the battery contacts before disposing of the battery.
- Do not touch the battery contacts with your hands or metal objects.

RF Exposure :

This equipment must be installed and operated in accordance with provided instructions and must not be co-located or operating in conjunction with any other antenna or transmitter. End-users and installers must be provided with antenna installation instructions and transmitter operating conditions for satisfying RF exposure compliance.

CE Notice (European Union) :

This symbol  indicates this D2432 Docking Station complies with the EMC Directive and the European Union's Low Voltage Directive. This symbol also indicates that D2432 meets the following technical standards:

- EN 55022 — "Limitations and Methods of Measurement for the Radio Interferences of Information Technology Equipment."
- EN 55024 — "Information technology equipment - Immunity characteristics - Limits and methods of measurement."
- EN 61000-3-2 — "Electromagnetic compatibility (EMC) - Chapter 3: Limits - Section 2: Limits on the harmonic current emissions (Equipment input current up to and including 16 A per phase)."
- EN 61000-3-3 — "Electromagnetic compatibility (EMC) - Chapter 3: Limits - Section 3: Limits on the voltage fluctuations and flicker in low-voltage power supply systems for equipment with rate current up to and including 16 A."



NOTE: EN 55022 emissions requirements provide for two classifications

- Class A governs commercial use
- Class B is governs residential use

Federal Communications Commission Notice :

This equipment has been tested and found to comply with the limits for a Class B digital service, pursuant to Part 15 of the FCC rules. These limits are designed to provide reasonable protection against harmful interference in a residential installation. Any changes or modifications made to this equipment may void the user's authority to operate this equipment. This equipment generates, uses, and can radiate radio frequency energy, and if not installed and used in accordance with the instructions, may cause harmful interference to radio communications. However, there is no guarantee that interference will not occur in a particular installation. If this equipment does cause harmful interference to radio or television reception, which can be determined by turning the equipment off and on, the user is encouraged to try to correct the interference by one or more of the following measures:

- Reorient or relocate the receiving antenna.
- Increase the separation between the equipment and receiver.
- Connect the equipment into an outlet on a circuit different from that to which the receiver is connected.
- Consult the dealer or an experienced radio/TV technician for help.
- All external cables connecting to this basic unit must be shielded.

For cables connecting to PCMCIA cards, see the option manual or installation instructions.

BSMI Notice (Taiwan Only)

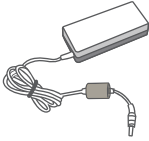
The symbol above must be attached to the product indicating compliance with the BSMI standard.

Congratulations on your purchase of the GIGABYTE Docking Station.

This manual will help you to get started with setting up your Docking Station. The final product configuration depends on the model at the point of your purchase. GIGABYTE reserves the right to amend without prior notice. For more detailed information, please visit our website at www.gigabyte.com

1 Check Supplied Items

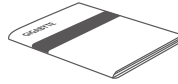
AC Adapter



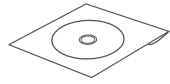
Power Cord



Manual

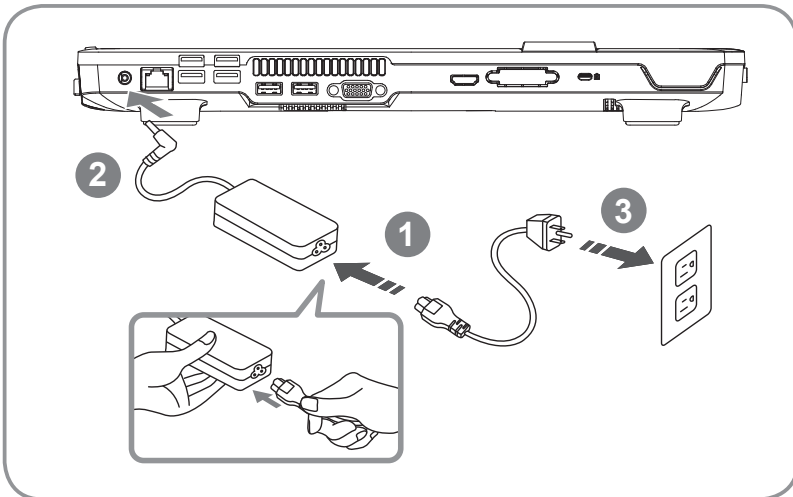


Driver CD



* The illustrations in this document may appear different from your model.

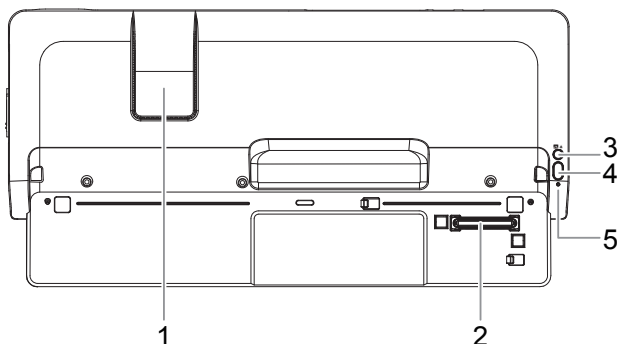
2 Using GIGABYTE Docking Station for the First Time



- 1 Connect the power cord to the AC adapter.
- 2 Connect the AC Adapter to the DC-In Jack on the rear of the docking station.
- 3 Connect the power cord to the power outlet.

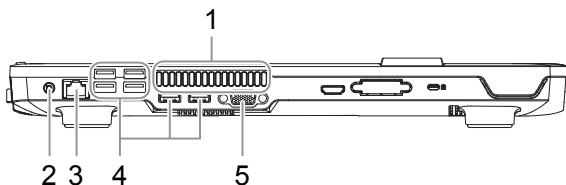
3 GIGABYTE Docking Station Tour

Top View



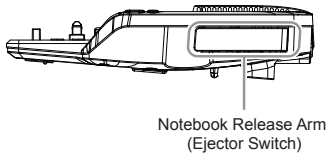
- 1** Air Vent
- 2** Docking Port Connector: The docking port is used to interface between the notebook and the docking station.
- 3** Un-Docking Button: If the docked computer is on, press “Un-Docking” button to initiate the un-docking process.
- 4** Power Button
- 5** LED Indicator: The LED indicator lights on when the docking station is connected to AC power source and the docked Notebook is on.

Rear View

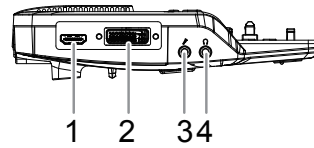


- 1** Air Vent
- 2** DC-In Jack
- 3** RJ-45 LAN Port
- 4** USB Ports
- 5** VGA D-Sub Port

Right View



Left View

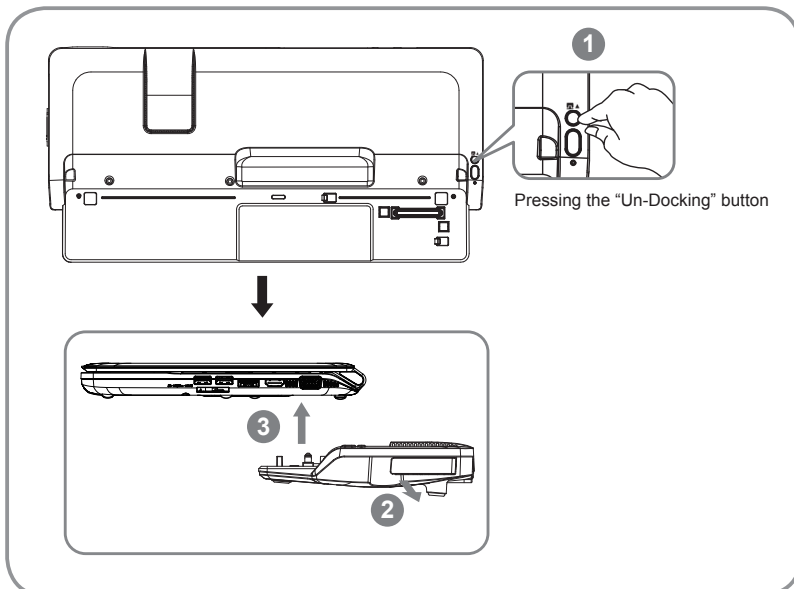


The right side of the docking station has the Notebook Release Arm; this is pulled to undock the notebook from the docking station.

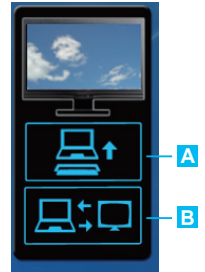
- 1 HDMI Port
- 2 DVI Port
- 3 Audio Jack
- 4 Mic-In Jack

4 Undocking GIGABYTE Notebook

Follow the guide below to undock the notebook from the docking station:
Please follow the instructions to learn how to remove the notebook.



1. If the docked computer is on, you can initiate the undocking process by 1) Pressing the “Un-Docking” button on the Docking Station. 2) Clicking the “Un-Docking” icon in the Docking Control Gadget.
2. Pull the Ejector Level out and back until the notebook unclips from the docking station.
3. Lift the notebook off of the docking station from the back of the notebook so as not to damage the docking connector.



A Un-Docking
B Monitor Setup

An alternate option to step one is to Shut Down the notebook first and the follow steps 2 and 3.



WARNING:

To avoid system crash or data loss, make sure to follow the above instruction to safely remove the computer from the Docking Station.

5 Specification

Item	Specification
Compatibility	GIGABYTE M2432 series Notebook
Video Graphics	NVIDIA® GeForce® VGA Card
I/O Port	Docking Port Connector / DC-In Jack / RJ45 / USB Port x6 / D-sub / HDMI / DVI / Mic-in Jack / Audio Jack
Button	Un-Docking Button / Power Button

* This specification is for users' reference only. The final configuration depends on the Docking Station users' point of purchase.

6 Appendix

■ Warranty & Service

Warranty and service and related information please refer to the warranty card or GIGABYTE service website as the below link:

<http://www.gigabyte.com/support-downloads/technical-support.aspx>

■ FAQ

FAQ (Frequent Asked Questions) please refer to the below link:

<http://www.gigabyte.com/support-downloads/faq.aspx>

www.gigabyte.com

