

Installation of Front Multi-Media I/O Ports



Incorrect connector installation may possibly burn out the motherboard and other components. Be sure to observe the instructions on installation manual. Any loss caused by nonobservance of the proper operation provided is not covered by the warranty.

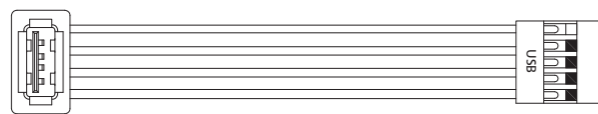
CAUTION

The connector or socket varies with different motherboards. For detailed instructions, please refer to the instructions provided by the motherboard manufacturer.

The Front Panel consists of

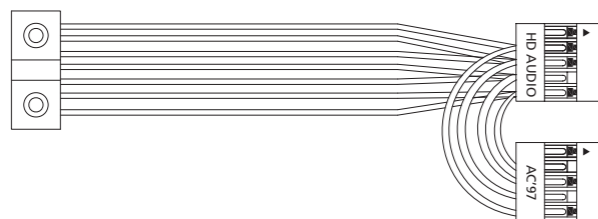
(1) 2 x USB2.0 (2) Audio Jack (3) eSATA (4) Power SW / LED connectors

1 2xUSB 2.0



Power	1	2	Power
USB Dy-	3	4	USB Dx-
USB Dy+	5	6	USB Dx+
GND	7	8	GND
USB Over current	9	10	KEY

Audio Jacks

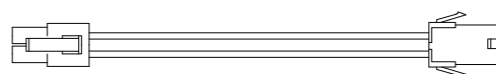


GND	1	2	MIC2_L
-ACZ_DET	3	4	MIC2_R
FSENSE1	5	6	LINE2_R
KEY	7	8	FAUDIO_JD
FSENSE2	9	10	LINE2_L

GND	1	2	MIC
NC	3	4	MIC Power
NC	5	6	Line Out(R)
KEY	7	8	NC
NC	9	10	Line Out(L)

3 ATX 12V CPU Connector

BLACK YELLOW
BLACK YELLOW



YELLOW BLACK
YELLOW BLACK

4 eSATA (Optional)

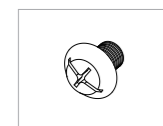


Be sure that different motherboards may have different installation positions. For detailed instructions, please refer to the instructions supplied by the motherboard manufacture.

CAUTION

Accessory

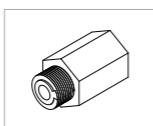
(Refer to the figures below for the attachments in the accessory)



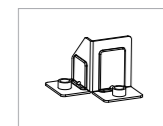
Motherboard /
HDD Securing
Screws x 14



CD-ROM Securing
Screws x 6



Motherboard
Stand Off x 2



Power Bracket
x 1



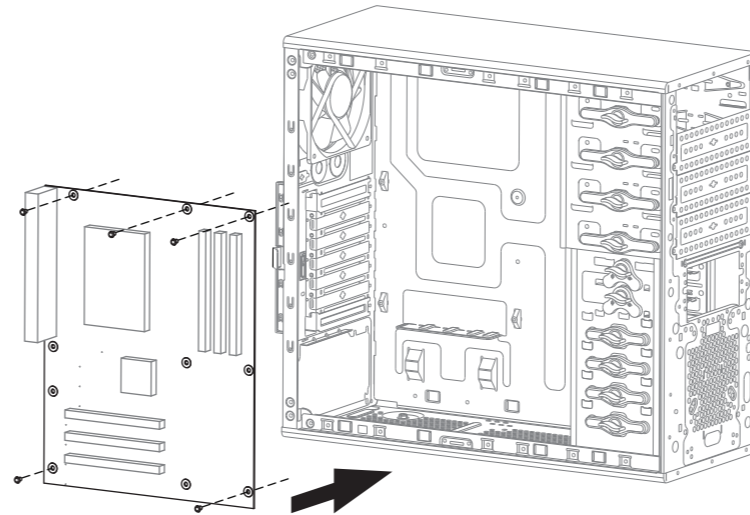
Power Supply
Securing Screws
x 4



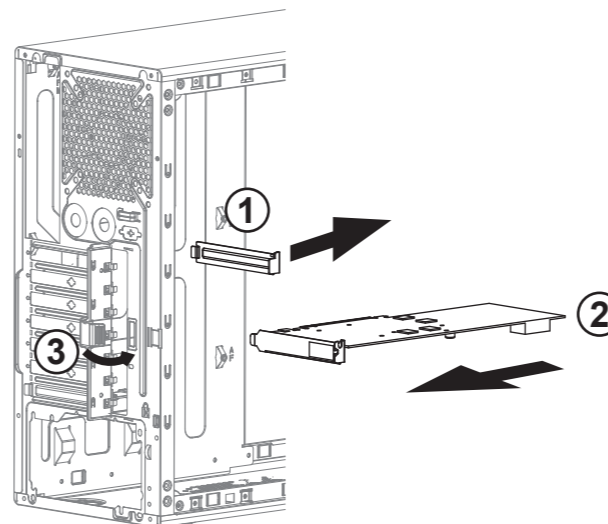
Power Bracket
Securing Screws
x 2

Hardware Installation

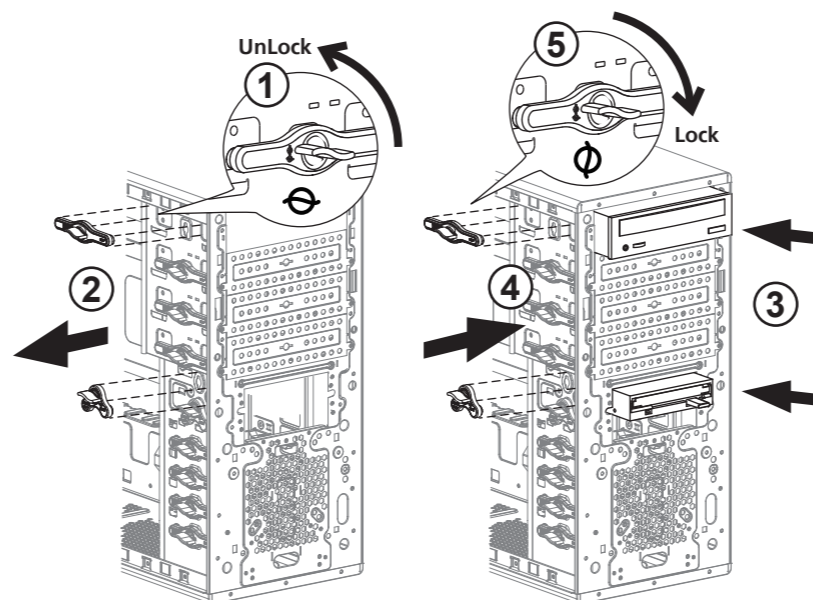
1. Motherboard Installation



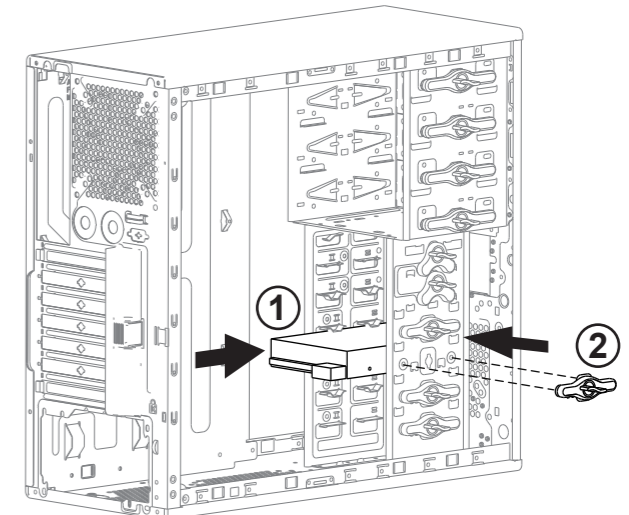
2. Add-on card Installation



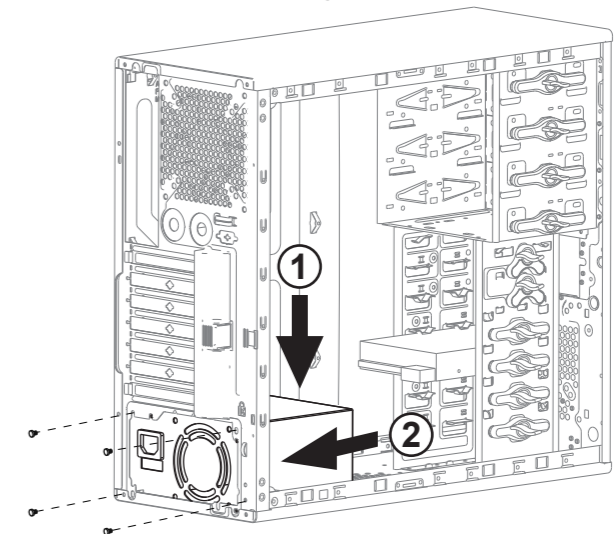
3. 5.25" and 3.5" Drives Installation



4. HDD Drive Installation



5. Power Supply Installation



6. Installation of power bracket

