

Installation of Front Multi-Media I/O Ports



Incorrect connector installation may possibly burn out the motherboard and other components. Be sure to observe the instructions on installation manual. Any loss caused by nonobservance of the proper operation provided is not covered by the warranty.

CAUTION

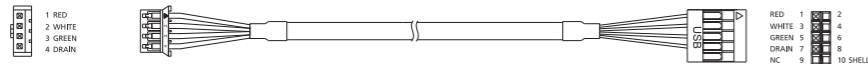
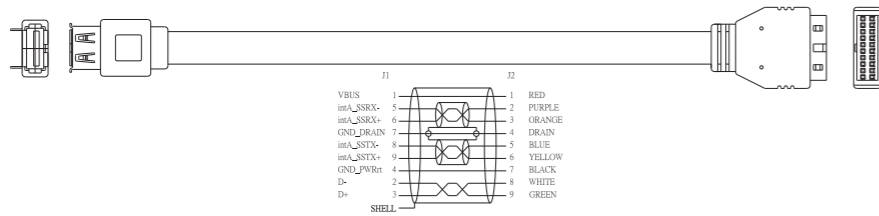
The connector or socket varies with different motherboards. For detailed instructions, please refer to the instructions provided by the motherboard manufacturer.

Pictures and figures are for reference only. Actual product may vary.

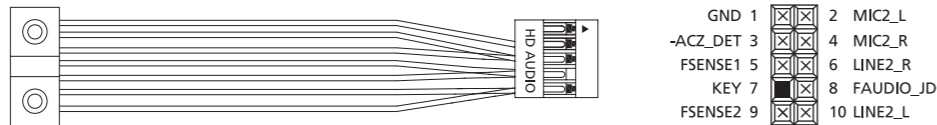
The Front Panel consists of

(1) 2 x USB 3.0 (Optional) (2) HD Audio Jack

① USB3.0 & USB2.0 cable



② HD Audio Jack

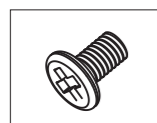


CAUTION

Be sure that different motherboards may have different installation positions. For detailed instructions, please refer to the instructions supplied by the motherboard manufacturer.

Accessory

(Refer to the figures below for the attachments in the accessory)



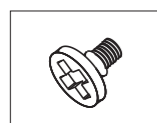
M/B securing screw x 9 pcs



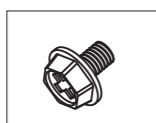
CD securing screw x 6 pcs
2.5"HDD securing screw x 4 pcs



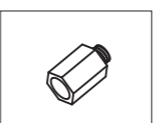
HDD securing screw x 6 pcs



HDD securing screw x 5 pcs



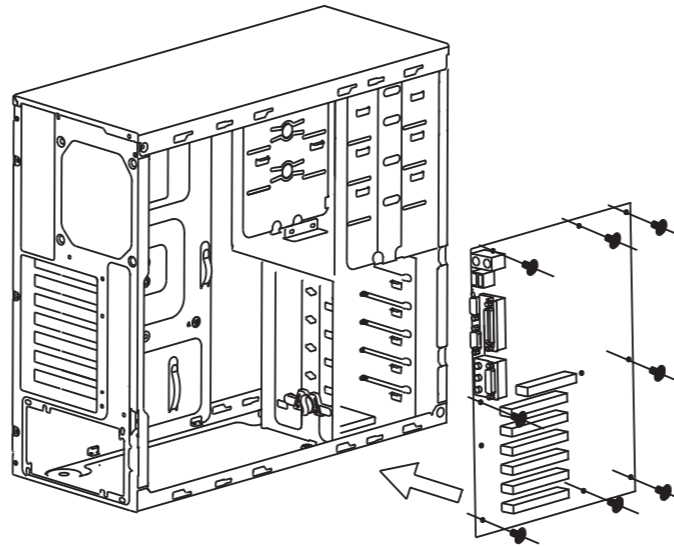
PSU securing screw x 4 pcs
PCI-E securing screw x 2 pcs



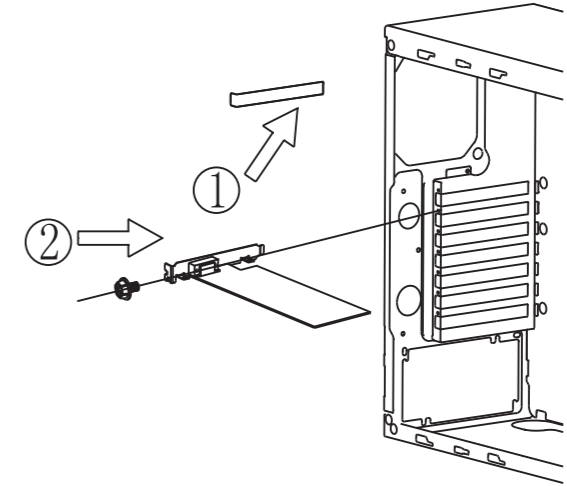
Motherboard Stand Off x 9 pcs

Hardware Installation

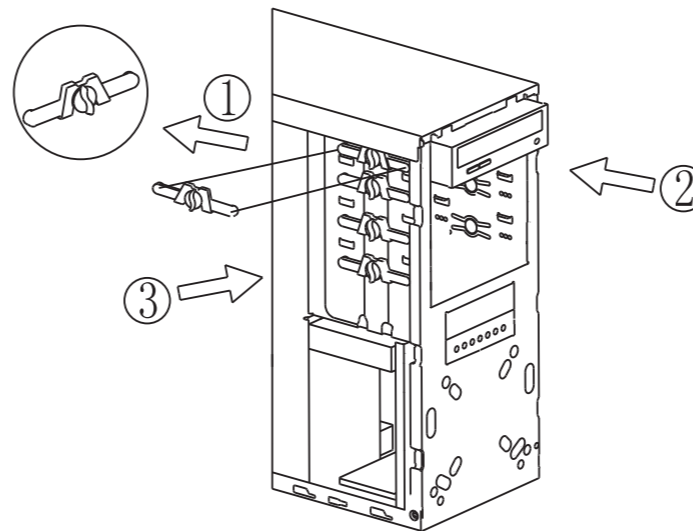
1. Motherboard Installation



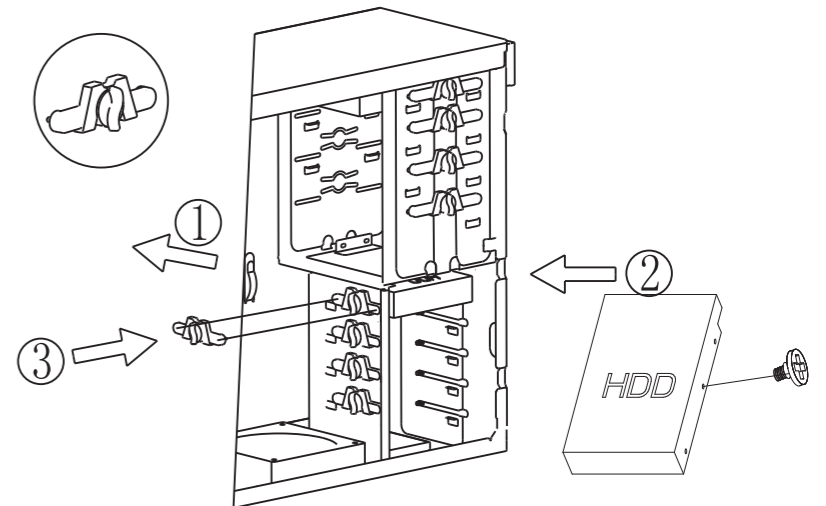
2. Add-on card Installation



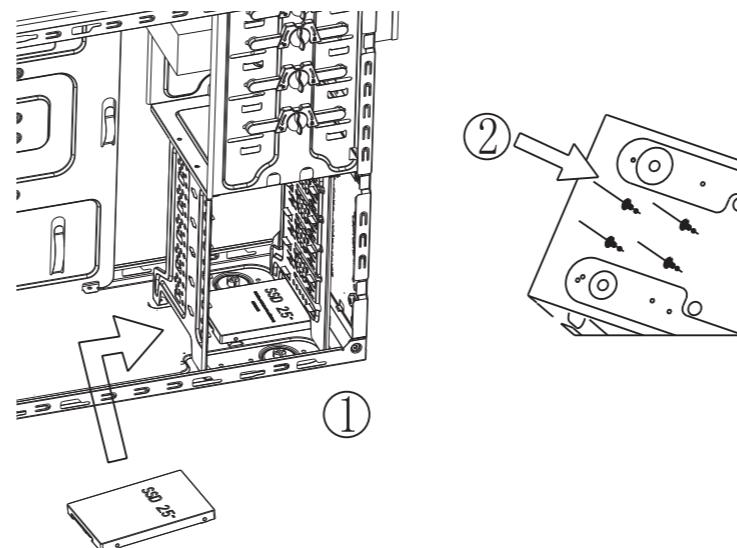
3. 5.25" Drives Installation



4. 3.5" Drives Installation



5. 2.5" Drives Installation



6. Power Supply Installation

