



Optional remarks based on models available in your territory:

1. The IEEE1394 situated on the front panel is optional.
2. Tool-less illustrations indicated pertain to models with tool-less options
3. Front intake system fan indicated are also specific to certain models

Installation of Front Multi-Media I/O Ports



CAUTION

Incorrect connector installation may possibly burn out the motherboard and other components. Be sure to observe the instructions on installation manual. Any loss caused by nonobservance of the proper operation provided is not covered by the warranty. The connector or socket varies with different motherboards. For detailed instructions, please refer to the instructions provided by the motherboard manufacturer.

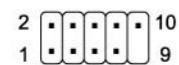
The Front Panel consists of

(1) 2xUSB 2.0 (2) 1xIEEE 1394 (Optional) (3) 1xAudio Jacks (4) Power SW / Reset SW / LED connectors

1 2xUSB 2.0

Insert the USB 2.0 connector into the corresponding sockets on the motherboard. (Please double check the layout on motherboard user manual)

USB 2.0 connector

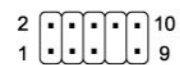


Pin	Definition	Pin	Definition
1	Power	6	USB Dy+
2	Power	7	GND
3	USB Dx-	8	GND
4	USB Dy-	9	
5	USB Dx+	10	USB Over current

2 1xIEEE 1394 (Optional)

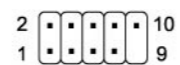
Insert the IEEE 1394 connector into the corresponding socket on the motherboard. There is a converter connector, please refer to the instructions supplied by the motherboard manufacturer and make sure the correct type of connector prior to installation.

IEEE 1394 connector A



Pin	Definition	Pin	Definition
1	TPA+	6	TPB-
2	TPA-	7	+12V
3	GND	8	+12V
4	GND	9	+12V
5	TPB+	10	GND

IEEE 1394 connector B



Pin	Definition	Pin	Definition
1	TPA+	6	TPB-
2	TPA-	7	+12V
3	GND	8	+12V
4	GND	9	+12V
5	TPB+	10	GND

IEEE 1394 connector C



Pin	Definition	Pin	Definition
1	+12V	9	+12V
2	+12V	10	+12V
3	TPA+	11	TPA1+
4	TPA-	12	TPA1-
5	GND	13	GND
6	GND	14	GND
7	TPB+	15	TPB1+
8	TPB-	16	TPB1-

3 1xAudio Jacks

Insert the audio connector into the corresponding socket on the motherboard. There are HD audio and AC97 connector, please refer to the motherboard user manual.

HD AUDIO



Pin	Definition	Pin	Definition
1	MIC2_L	6	FSENSE1
2	GND	7	FAUDIO_ID
3	MIC2_R	8	No Pin
4	-ACZ_DET	9	LINE2_L
5	LINE2_R	10	FSENSE2

AC'97



Pin	Definition	Pin	Definition
1	MIC	6	NC
2	GND	7	NC
3	MIC Power	8	NO Pin
4	NC	9	Line Out(L)
5	Line Out(R)	10	NC

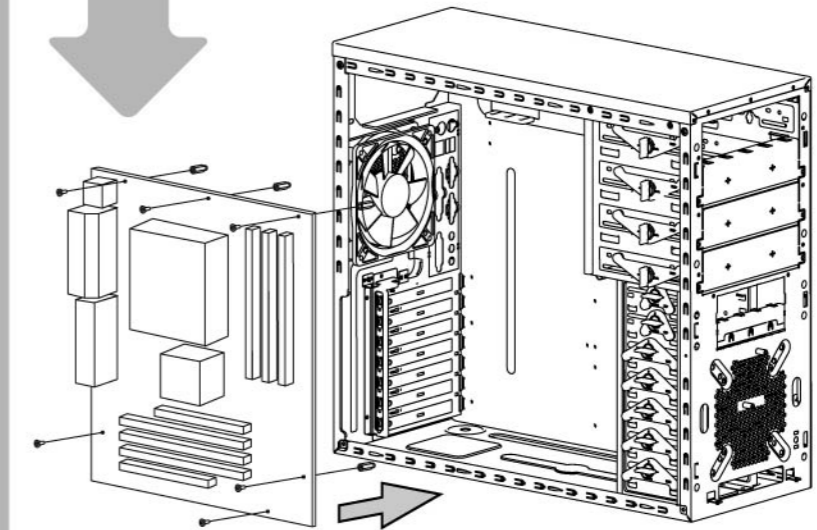


CAUTION

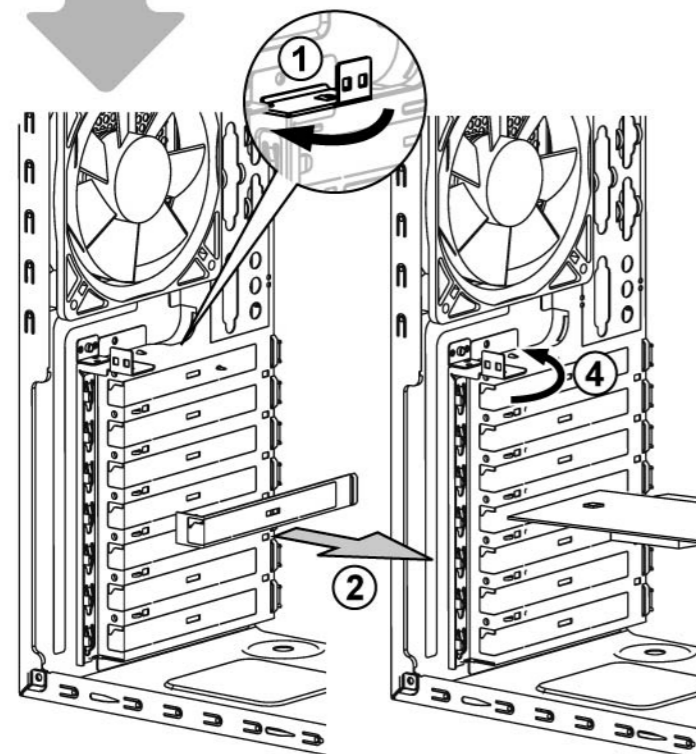
Be sure that different motherboards may have different installation positions. For detailed instructions, please refer to the instructions supplied by the motherboard manufacturer

Hardware Installation

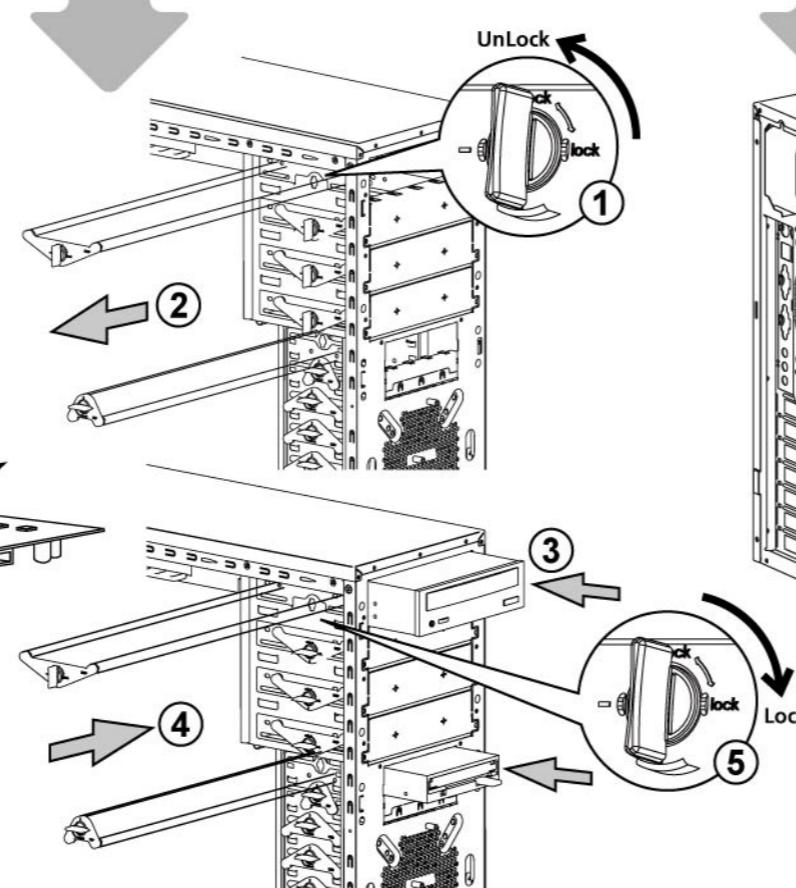
1 Motherboard Installation



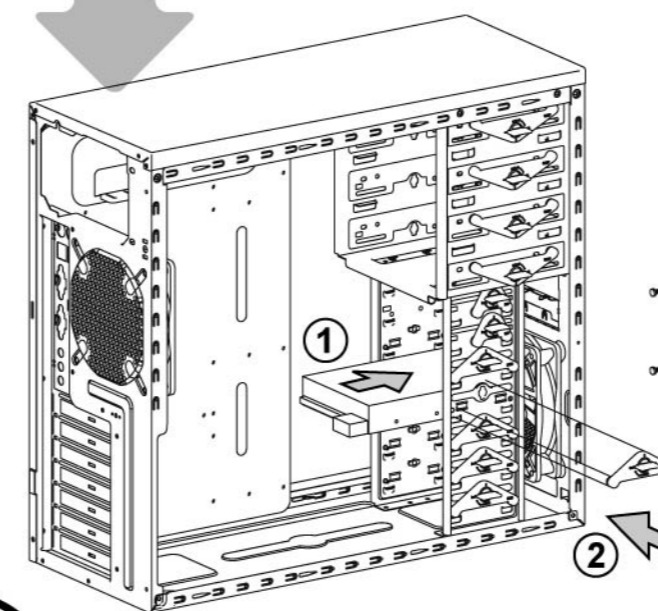
2 Add-on card Installation



3 5.25" and 3.5 Drives Installation



4 HDD Drive Installation



5 Power Supply Installation

