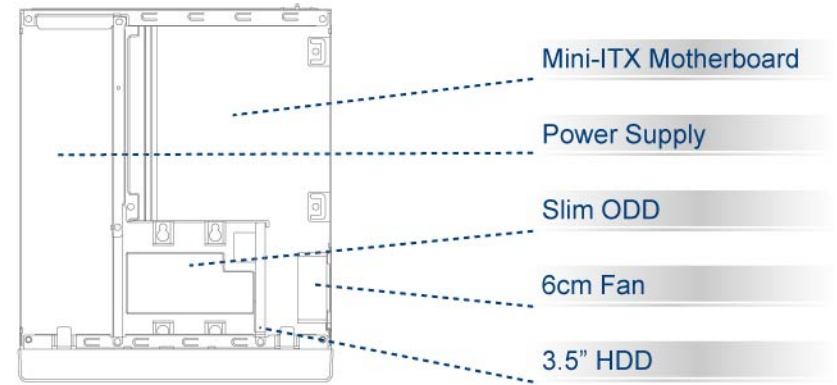


Components Introduction

Casing's Internal Structure



Components Introduction

Casing's Internal Structure



Accessory Box

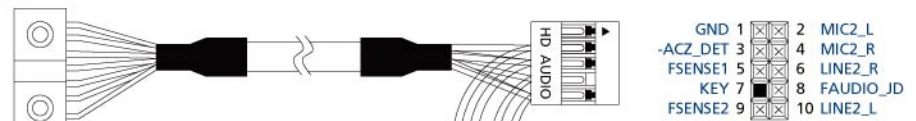
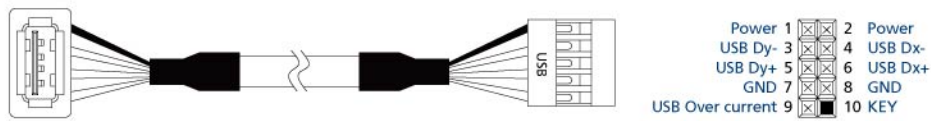
MIB T3140



⚠ Product is not warranted if the products is modified, altered or repaired without authorization by GIGABYTE. Specifications and pictures are to change without notice.

Installation of Front Multi-Media I/O ports

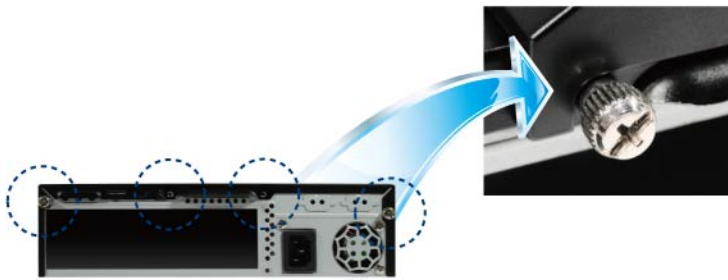
USB 2.0 ports & AC'97 / HD audio



⚠ Be sure that different motherboards may have different installation areas and specifications, screw holes and connectors. For detailed instructions, please refer to the motherboard user manual supplied by the motherboard manufacturer.

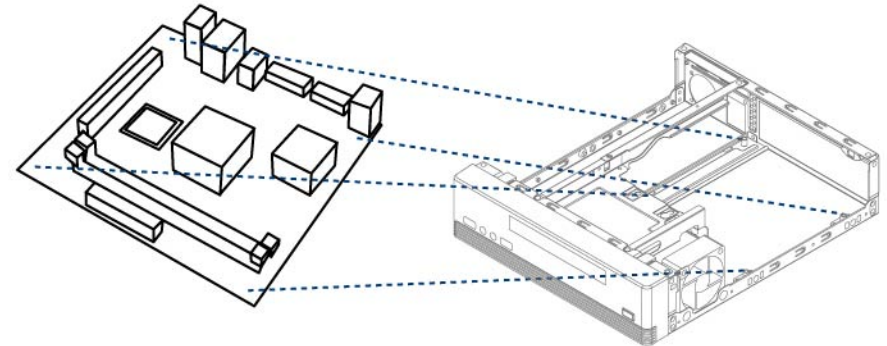
STEP 1

Remove top cover



STEP 2

Installation of Motherboard



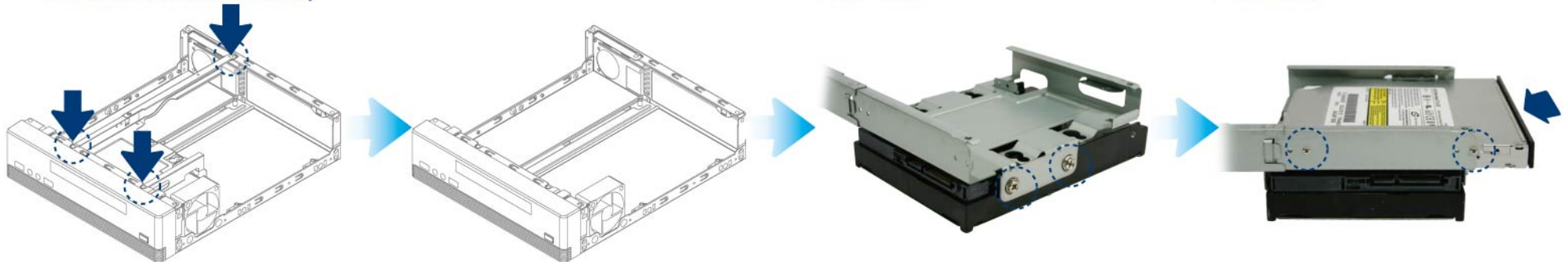
STEP 3

Installation of 3.5" HDD & Slim ODD

▼ Remove screw and Drive Bay

▼ 3.5" HDD

▼ Slim ODD



STEP 4

Installation of LCD Monitor to CASE

⚠ Connect hinge onto chassis and mount monitor before adjusting the angle of the hinge.

