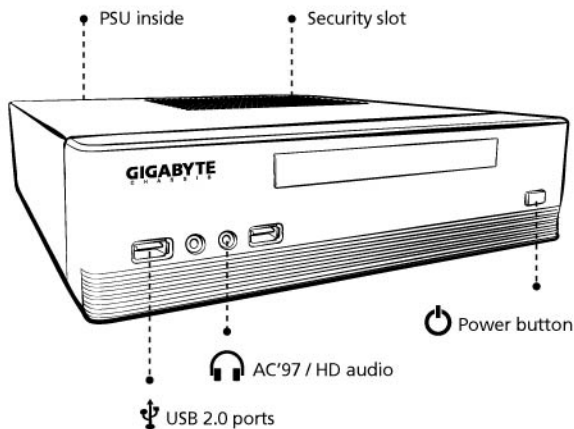


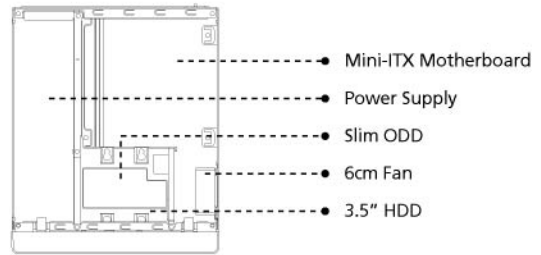
# GIGABYTE™

## Case's Panel Structure



⚠ Product is not warranted if the products is modified, altered or repaired without authorization by GIGABYTE. Specifications and pictures are to change without notice.

## Case's Internal Structure



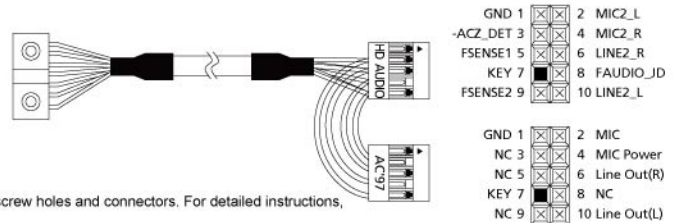
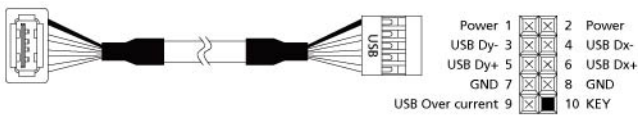
## Accessory Box



Slim ODD securing screw x 4  
Motherboard / HDD securing screw x 10  
Foot stand x 2

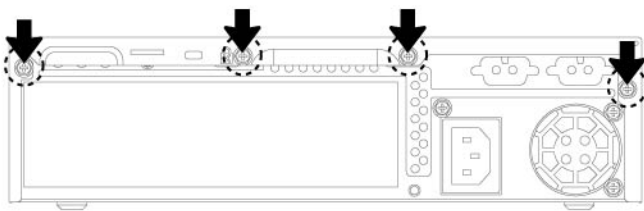
## Installation of Front Multi-Media I/O ports

USB 2.0 ports & AC'97 / HD audio

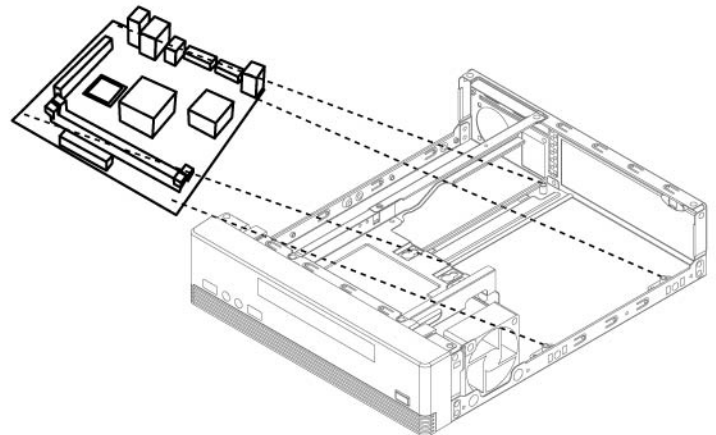


⚠ Be sure that different motherboards may have different installation areas and specifications, screw holes and connectors. For detailed instructions, please refer to the motherboard user manual supplied by the motherboard manufacturer.

## STEP 1 Remove top cover



## STEP 2 Installation of Motherboard



## STEP 3 Installation of 3.5" HDD & Slim ODD

▼ Remove screws and Drive Bay

▼ 3.5" HDD

▼ Slim ODD

